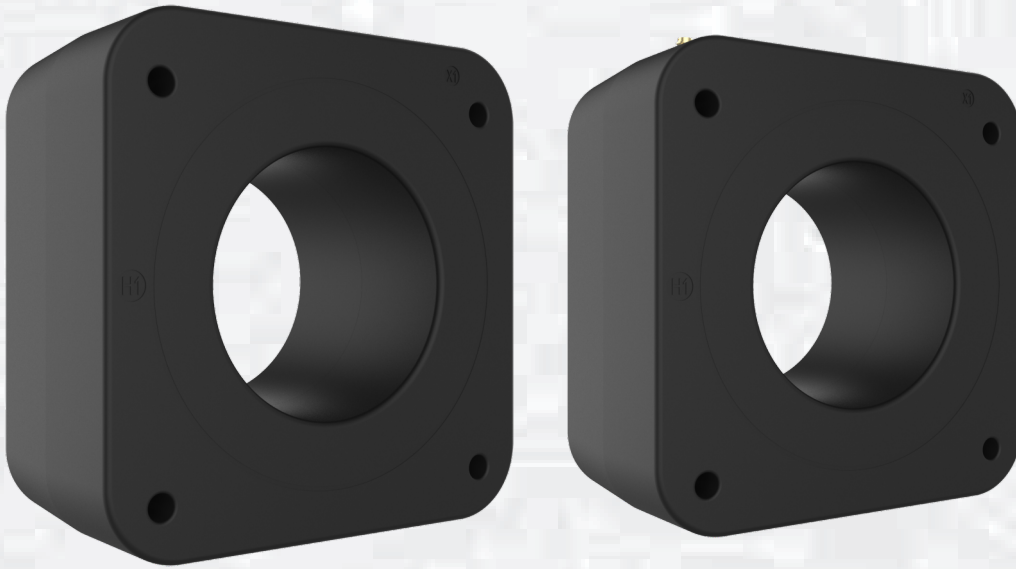




Technical Data Sheet

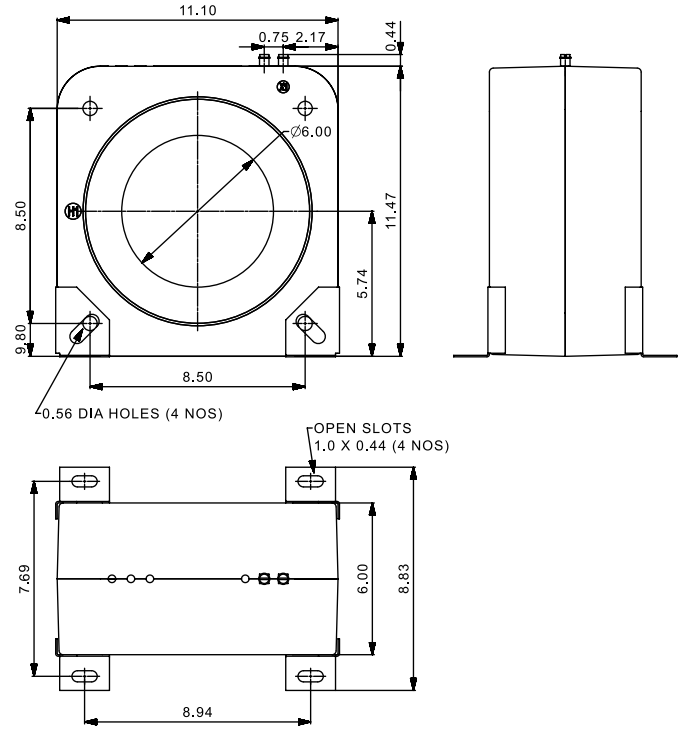
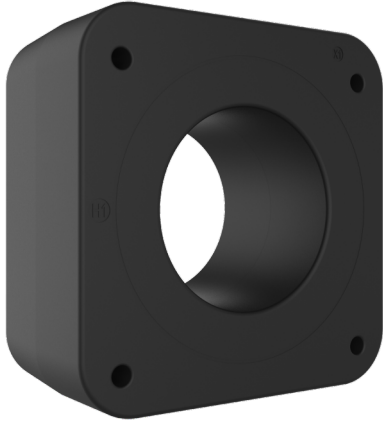
*Omega ANSI
Current Transformer Series*



*Omega 30
145ASHT, 145AMR*

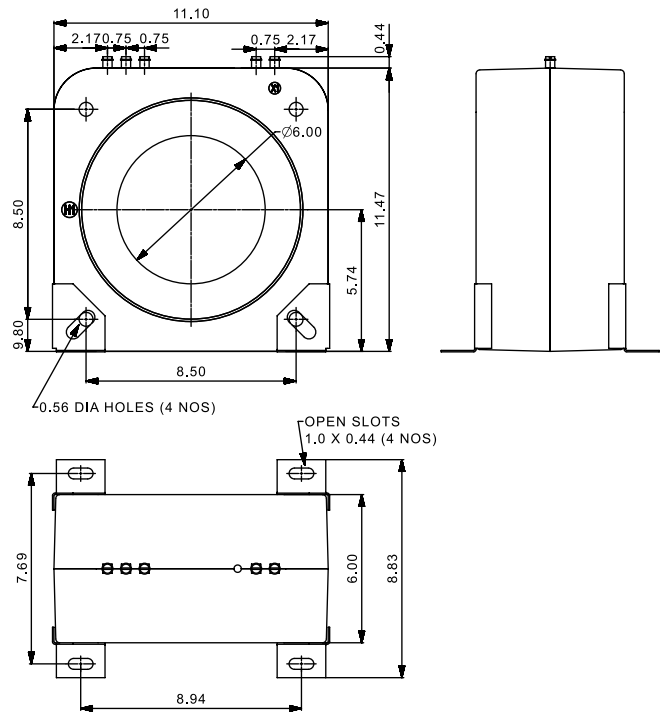
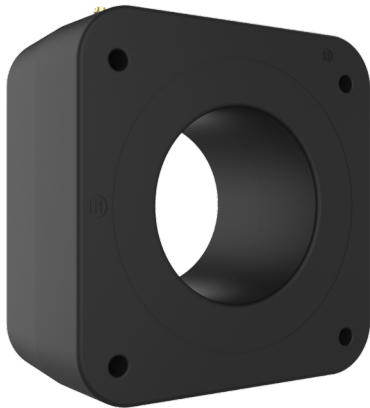


Omega 30 - 145ASHT



*All the mentioned dimensions are in inches

Omega 30 - 145AMR



*All the mentioned dimensions are in inches

Omega 30 - 145ASHT

Current Ratio	VA @ ± 1% Class	ANSI METERING CLASS @ 60HZ					SECONDARY WINDING RESISTANCE (OHMS @75 °C)	Cont. Thermal RF	
		B0.1	B0.2	B0.5	B0.9	B1.8		@30 °C	@55 °C
50:5	C20	1.2	4.8	-	-	-	0.030	2.0	2.0
75:5	C20	1.2	2.4	4.8	4.8	-	0.045	2.0	2.0
100:5	C20	0.6	1.2	2.4	4.8	4.8	0.061	2.0	2.0
150:5	C50	0.6	0.6	1.2	2.4	2.4	0.091	2.0	2.0
200:5	C100	0.3	0.6	0.6	1.2	2.4	0.121	2.0	2.0
250:5	C100	0.3	0.3	0.6	0.6	1.2	0.152	2.0	2.0
300:5	C100	0.3	0.3	0.3	0.6	1.2	0.288	2.0	2.0
400:5	C200	0.3	0.3	0.3	0.3	0.6	0.384	2.0	2.0
500:5	C200	0.3	0.3	0.3	0.3	0.3	0.480	2.0	1.5
600:5	C200	0.3	0.3	0.3	0.3	0.3	0.576	2.0	1.5
750:5	C400	0.3	0.3	0.3	0.3	0.3	0.720	2.0	1.5
800:5	C400	0.3	0.3	0.3	0.3	0.3	0.768	2.0	1.5
1000:5	C400	0.3	0.3	0.3	0.3	0.3	0.960	1.5	1.33
1200:5	C400	0.3	0.3	0.3	0.3	0.3	1.153	1.5	1.0
1500:5	C800	0.3	0.3	0.3	0.3	0.3	1.441	1.5	1.0
1600:5	C800	0.3	0.3	0.3	0.3	0.3	1.537	1.33	1.0
2000:5	C800	0.3	0.3	0.3	0.3	0.3	1.829	1.0	1.0
2500:5	C800	0.3	0.3	0.3	0.3	0.3	2.286	1.0	0.8
3000:5	C800	0.3	0.3	0.3	0.3	0.3	2.743	1.0	0.8
3200:5	C800	0.3	0.3	0.3	0.3	0.3	2.926	1.0	0.8
3500:5	C800	0.3	0.3	0.3	0.3	0.3	3.040	1.0	0.8
4000:5	C800	0.3	0.3	0.3	0.3	0.3	3.474	1.0	0.6
5000:5	C800	0.3	0.3	0.3	0.3	0.3	4.342	0.8	0.6
6000:5	C800	0.3	0.3	0.3	0.3	0.3	5.211	0.8	0.6

Specification

- Frequency : 50-400 Hz.
- Insulation Level : 600 Volts. 10kV BIL. full wave
- WINDOW : 6.00"
- APROXIMATE WEIGHT : 83 lbs

CONNECTIONS :

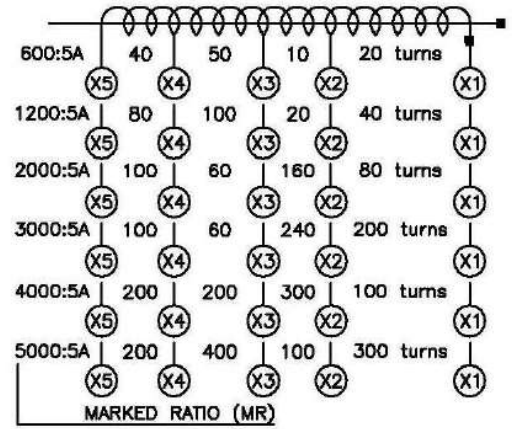
- Terminals are brass connections No. 10-32 UNF with one flat washer, lockwasher, and regular nut
- Multi-ratios available upon request
- Mounting kit (On Request)

Application

- Relaying & Metering

Omega 30 - 145AMR

Current Ratio	Relay class	Continuous Thermal	
		@30 °C	@50 °C
600: 5	C200	2.0	1.5
1200: 5	C400	1.5	1.0
2000: 5	C800	1.33	1.0
3000: 5	C800	1.0	0.8
4000: 5	C800	1.0	0.6
5000: 5	C800	0.8	0.6



Specification

- Frequency : 50-400 Hz.
- Insulation Level : 600 Volts. 10kV BIL. full wave
- WINDOW : 6.00"
- APROXIMATE WEIGHT : 83 lbs

CONNECTIONS :

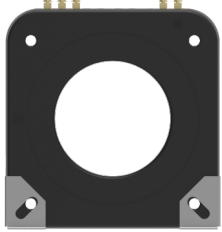
- Terminals are brass connections No. 10-32 UNF with one flat washer, lockwasher, and regular nut
- Multi-ratios available upon request

Application

- Relaying & Metering

Omega 30 - 145ASHT, 145AMR

Product Mounting Kit

Sr No	Model Name	Item Code	Actual Product
1	145, 145MR	X41H-0A00-0001	

Sifam Tinsley Instrumentation Inc.

Address: 2105 Barrett Park Dr, Unit 105, Kennesaw, GA 30144

Tel.: 800-879-6171 | **E-mail:** info@sifamtinsley.com | **Web:** www.sifamtinsley.com
