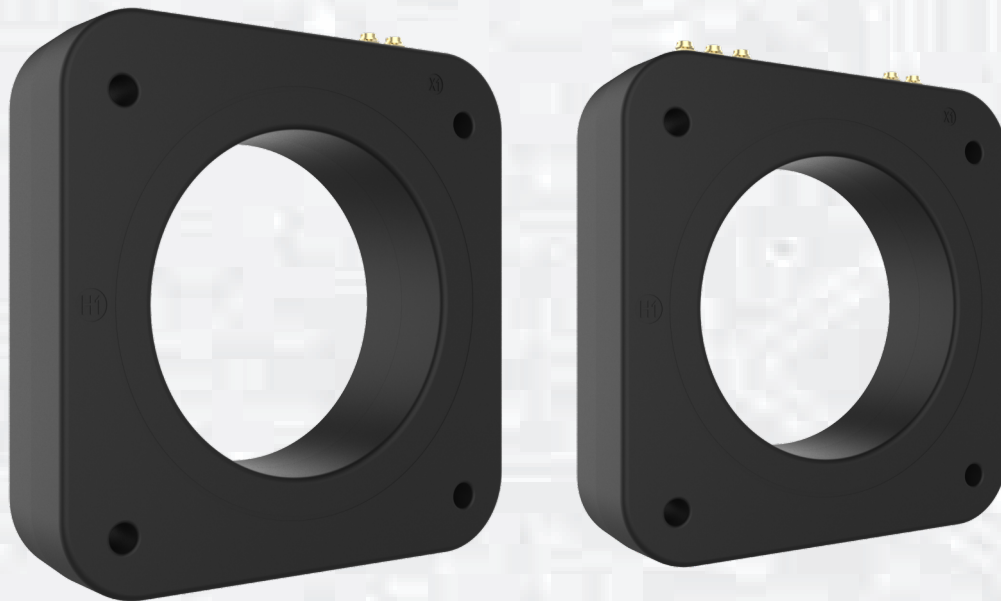




Technical Data Sheet

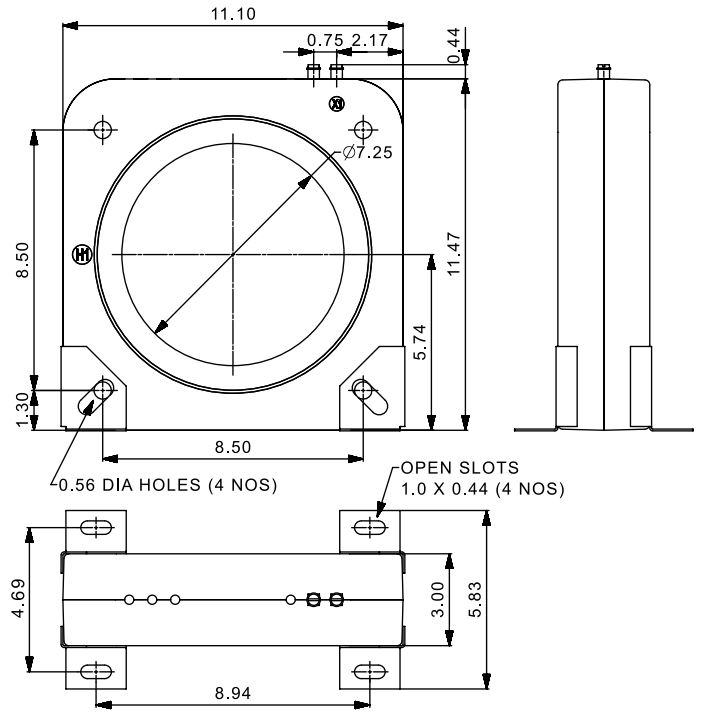
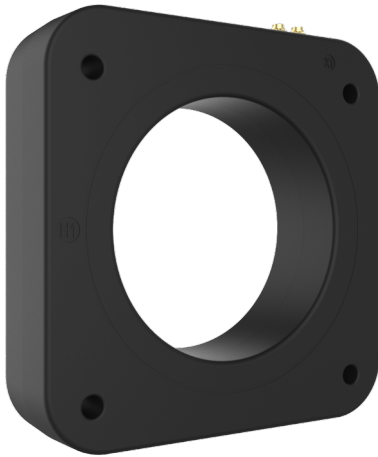
*Omega ANSI
Current Transformer Series*



*Omega 30
142ASHT, 142AMR*

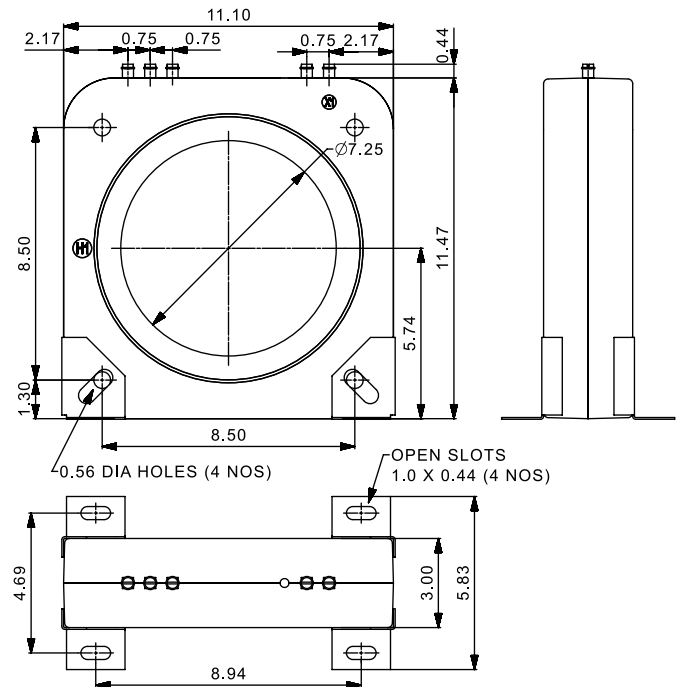
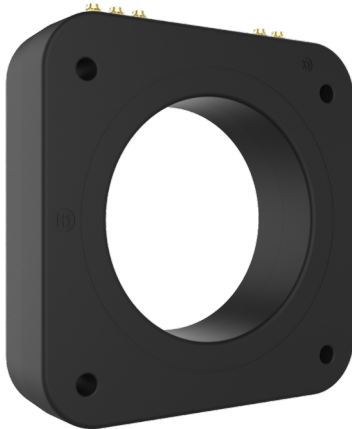


Omega 30 - 142ASHT



*All the mentioned dimensions are in inches

Omega 30 - 142AMR



*All the mentioned dimensions are in inches

Omega 30 - 142ASHT

Current Ratio	Relay Class	ANSI METERING CLASS @ 60HZ					SECONDARY WINDING RESISTANCE (OHMS @ 75°C)	Cont. Thermal RF	
		B0.1	B0.2	B0.5	B0.9	B1.8		@30 °C	@55 °C
50:5	-	-	-	-	-	-	0.031	2.0	2.0
75:5	-	2.4	4.8	-	-	-	0.035	2.0	2.0
100:5	C10	1.2	2.4	4.8	-	-	0.051	2.0	2.0
150:5	C10	1.2	1.2	2.4	4.8	-	0.070	2.0	2.0
200:5	C20	0.6	0.6	1.2	2.4	4.8	0.102	2.0	2.0
250:5	C20	0.6	0.6	1.2	1.2	2.4	0.127	2.0	2.0
300:5	C30	0.3	0.3	0.6	1.2	2.4	0.153	2.0	2.0
400:5	C50	0.3	0.3	0.3	0.6	1.2	0.196	2.0	2.0
500:5	C50	0.3	0.3	0.3	0.6	0.6	0.252	2.0	2.0
600:5	C50	0.3	0.3	0.3	0.3	0.6	0.255	2.0	2.0
750:5	C100	0.3	0.3	0.3	0.3	0.3	0.304	2.0	1.5
800:5	C100	0.3	0.3	0.3	0.3	0.3	0.336	2.0	1.5
1000:5	C100	0.3	0.3	0.3	0.3	0.3	0.486	2.0	1.5
1200:5	C100	0.3	0.3	0.3	0.3	0.3	0.735	1.5	1.0
1500:5	C200	0.3	0.3	0.3	0.3	0.3	0.918	1.5	1.0
1600:5	C200	0.3	0.3	0.3	0.3	0.3	0.979	1.33	1.0
2000:5	C200	0.3	0.3	0.3	0.3	0.3	0.544	2.0	1.5
2500:5	C200	0.3	0.3	0.3	0.3	0.3	1.066	1.5	1.0
3000:5	C200	0.3	0.3	0.3	0.3	0.3	1.280	1.0	0.8
3200:5	C200	0.3	0.3	0.3	0.3	0.3	1.365	1.0	0.8
3500:5	C200	0.3	0.3	0.3	0.3	0.3	1.493	1.0	0.8
4000:5	C200	0.3	0.3	0.3	0.3	0.3	1.452	1.0	0.8
5000:5	C200	0.3	0.3	0.3	0.3	0.3	1.915	1.0	0.8
6000:5	C200	0.3	0.3	0.3	0.3	0.3	2.298	1.0	0.6

Specification

- Frequency : 50-400 Hz.
- Insulation Level : 600 Volts. 10kV BIL. full wave
- WINDOW : 7.25"
- APROXIMATE WEIGHT : 31 lbs

CONNECTIONS :

- Terminals are brass connections No. 10-32 UNF with one flat washer, lockwasher, and regular nut
- Multi-ratios available upon request
- Mounting kit (On Request)

Application

- Relaying & Metering

Current Ratio	Relay class	Continuous Thermal RF	
		@30 °C	@50 °C
600:5	C50	2.0	2.0
1200:5	C200	1.5	1.0
2000:5	C200	2.0	1.5
3000:5	C200	1.0	0.8
4000:5	C200	1.0	0.8
5000:5	C200	1.0	0.8

Specification

- Frequency : 50-400 Hz.
- Insulation Level : 600 Volts. 10kV BIL. full wave
- WINDOW : 7.25"
- APROXIMATE WEIGHT : 31 lbs

CONNECTIONS :

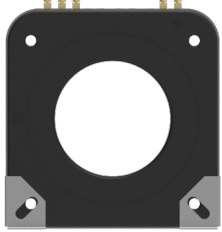
- Terminals are brass connections No. 10-32 UNF with one flat washer, lockwasher, and regular nut
- Multi-ratios available upon request
- Mounting kit (On Request)

Application

- Relaying & Metering

Omega 30 - 142ASHT, 142AMR

Product Mounting Kit

Sr No	Model Name	Item Code	Actual Product
1	142, 142MR	X40H-0A00-0001	

Sifam Tinsley Instrumentation Inc.

Address: 2105 Barrett Park Dr, Unit 105, Kennesaw, GA 30144

Tel.: 800-879-6171 | **E-mail:** info@sifamtinsley.com | **Web:** www.sifamtinsley.com
