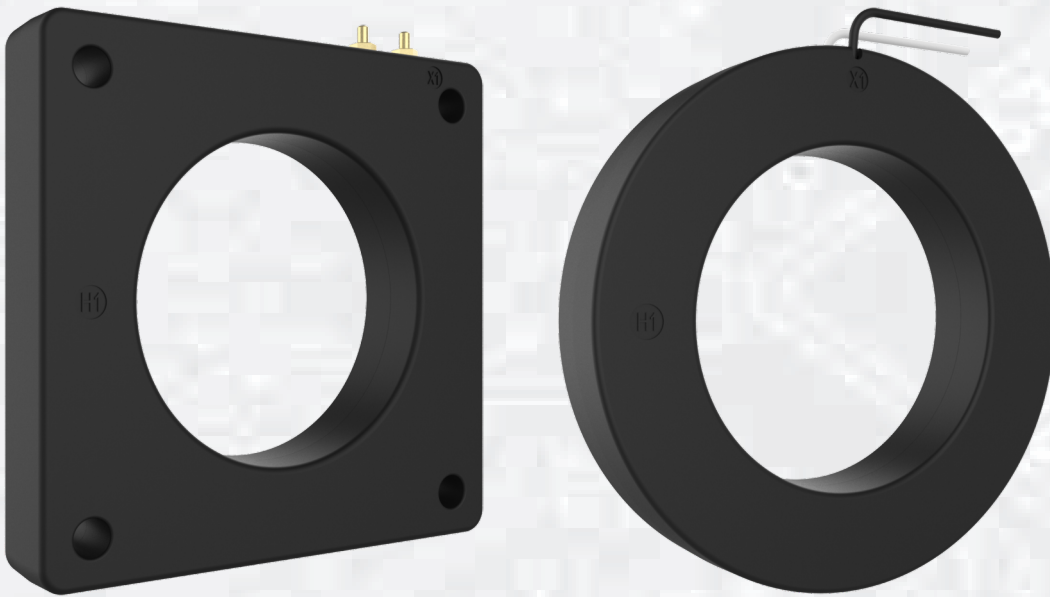




Technical Data Sheet

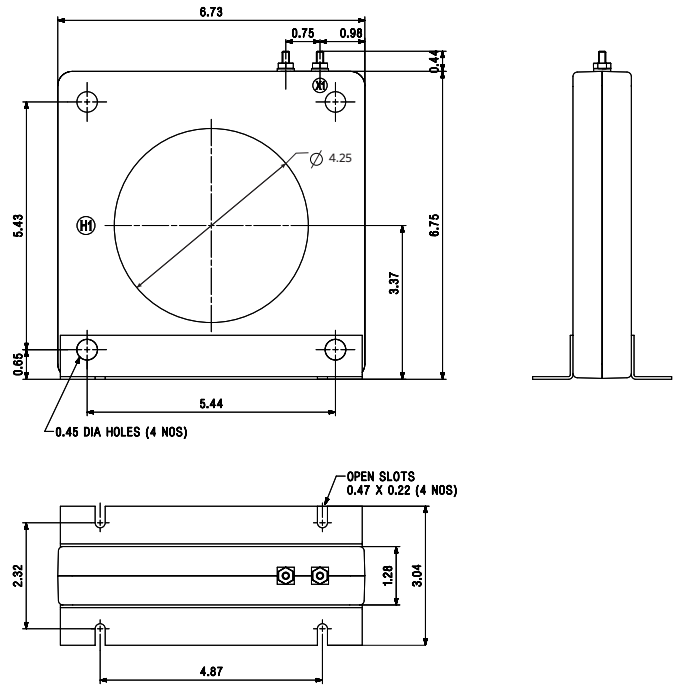
*Omega ANSI  
Current Transformer Series*



*Omega 30  
170ASHT, 170ARL*

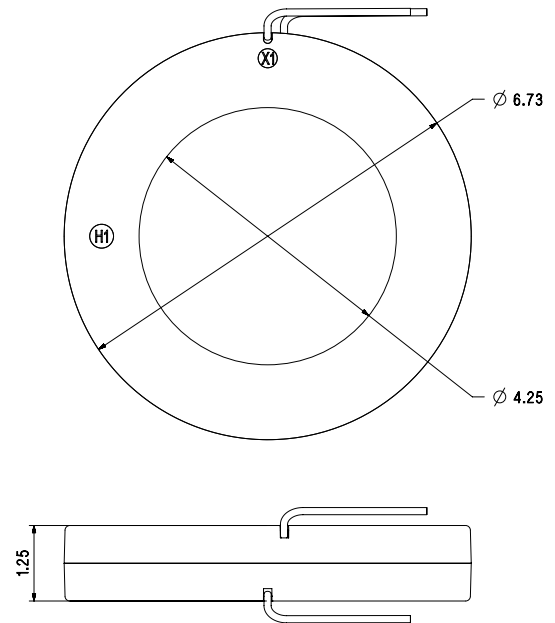


**Omega 30 - 170ASHT**



\*All the mentioned dimensions are in inches

**Omega 30 - 170ARL**



\*All the mentioned dimensions are in inches

**Omega 30 - 170ASHT, 170ARL**

Current Ratio	VA @ ± 1% Class	ANSI METERING CLASS @ 60HZ					SECONDARY WINDING RESISTANCE (OHMS @ 75 °C)	Cont. Thermal RF	
		B0.1	B0.2	B0.5	B0.9	B1.8		@30 °C	@55 °C
200:5	5	0.6	1.2	2.4	-	-	0.067	2.0	2.0
250:5	5	0.6	0.6	1.2	2.4	-	0.084	2.0	2.0
300:5	12.5	0.6	0.6	1.2	2.4	-	0.093	2.0	2.0
400:5	25	0.3	0.3	0.6	1.2	2.4	0.124	2.0	2.0
500:5	25	0.3	0.3	0.6	1.2	1.2	0.155	2.0	1.5
600:5	25	0.3	0.3	0.6	0.6	1.2	0.186	2.0	1.5
750:5	40	0.3	0.3	0.3	0.6	0.6	0.270	2.0	1.5
800:5	50	0.3	0.3	0.3	0.6	0.6	0.288	2.0	1.5
1000:5	75	0.3	0.3	0.3	0.6	0.6	0.360	1.33	1.0
1200:5	100	0.3	0.3	0.3	0.3	0.6	0.385	1.33	1.0
1500:5	80	0.3	0.3	0.3	0.3	0.6	0.453	1.33	1.0
1600:5	90	0.3	0.3	0.3	0.3	0.6	0.483	1.33	1.0
2000:5	100	0.3	0.3	0.3	0.3	0.3	0.604	1.0	0.8
2500:5	130	0.3	0.3	0.3	0.3	0.3	0.725	1.0	0.8
3000:5	160	0.3	0.3	0.3	0.3	0.3	0.870	1.0	1.0
3500:5	190	0.3	0.3	0.3	0.3	0.3	1.015	1.0	0.8
4000:5	200	0.3	0.3	0.3	0.3	0.3	1.243	1.0	0.8

## Specification

- Frequency : 50-400 Hz.
- Insulation Level : 600 Volts. 10kV BIL. full wave
- WINDOW : 4.25"
- APROXIMATE WEIGHT : 3 lbs

**CONNECTIONS :**

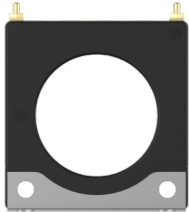
- Flexible leads are UL 1015 105° C CSA approved, #16 AWG, 24" long
- Terminals are brass studs No. 8-32 UNC with one flat washer, lockwasher, and regular nut
- Also available as 170SHL with leads
- Mounting kit (On Request)

## Application

- Metering

Omega 30 - 170ASHT, 170ARL

## Product Mounting Kit

Sr No	Model Name	Item Code	Actual Product
1	170	X17H-0A00-0001	

---

**Sifam Tinsley Instrumentation Inc.**

**Address:** 2105 Barrett Park Dr, Unit 105, Kennesaw, GA 30144

**Tel.:** 800-879-6171 | **E-mail:** [info@sifamtinsley.com](mailto:info@sifamtinsley.com) | **Web:** [www.sifamtinsley.com](http://www.sifamtinsley.com)

---