



Technical Data Sheet

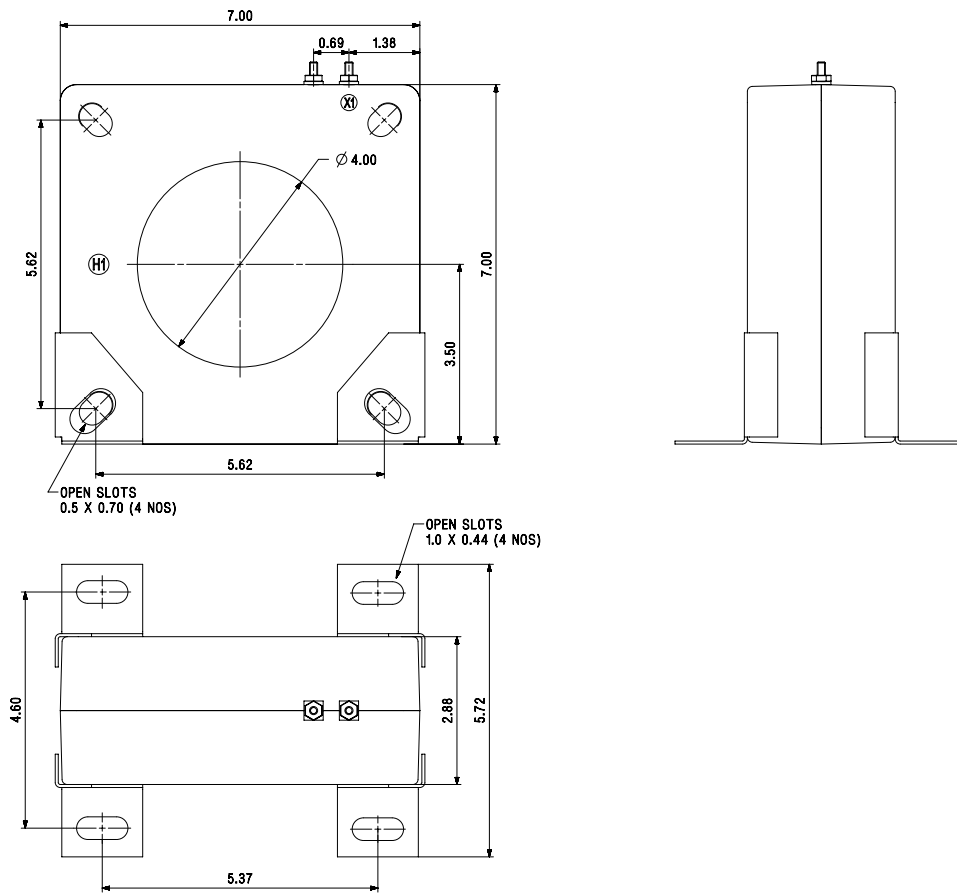
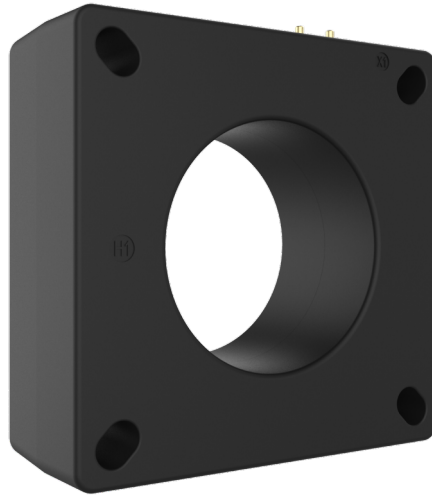
*Omega ANSI
Current Transformer Series*



*Omega 30
110ASHT*



Omega 30 - 110ASHT



*All the mentioned dimensions are in inches

Omega 30 - 110ASHT

Current Ratio	Relay Class	ANSI METERING CLASS @ 60HZ					SECONDARY WINDING RESISTANCE (OHMS @ 75 °C)	Cont. Thermal RF	
		B0.1	B0.2	B0.5	B0.9	B1.8		@30 °C	@55 °C
200:5	C10	0.6	1.2	1.2	2.4	-	0.085	2.0	2.0
300:5	C20	0.3	0.6	0.6	1.2	2.4	0.128	2.0	2.0
400:5	C20	0.3	0.3	0.3	0.6	1.2	0.152	2.0	2.0
500:5	C20	0.3	0.3	0.3	0.6	0.6	0.214	2.0	1.5
600:5	C50	0.3	0.3	0.3	0.3	0.6	0.256	2.0	1.5
800:5	C50	0.3	0.3	0.3	0.3	0.3	0.342	1.5	1.33
1000:5	C50	0.3	0.3	0.3	0.3	0.3	0.427	1.5	1.0
1200:5	C50	0.3	0.3	0.3	0.3	0.3	0.489	1.5	1.0
1500:5	C100	0.3	0.3	0.3	0.3	0.3	0.611	1.33	1.0
1600:5	C100	0.3	0.3	0.3	0.3	0.3	0.652	1.0	1.0
2000:5	C100	0.3	0.3	0.3	0.3	0.3	0.815	1.0	0.8
2500:5	C100	0.3	0.3	0.3	0.3	0.3	0.974	1.0	0.8
3000:5	C100	0.3	0.3	0.3	0.3	0.3	1.168	1.0	0.6

Specification

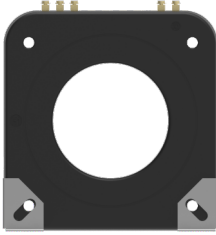
- FREQUENCY : 50 -400 Hz
- INSULATION LEVEL : 600 Volts. 10kV BIL. full wave
- WINDOW : 4.00"
- APROXIMATE WEIGHT : 13 lbs
- CONNECTIONS :
 - Terminals are brass studs No. 8-32 UNC with one flat washer, lockwasher and regular nut
 - Mounting kit (On Request)

Application

- APPLICATION : Relaying & Metering

Omega 30 - 110ASHT

Product Mounting Kit

Sr No	Model Name	Item Code	Actual Product
1	110	XH11-0A00-0001	

Sifam Tinsley Instrumentation Inc.

Address: 2105 Barrett Park Dr, Unit 105, Kennesaw, GA 30144

Tel.: 800-879-6171 | **E-mail:** info@sifamtinsley.com | **Web:** www.sifamtinsley.com
