



Multifunction Meters

Transducers & Isolators

Temperature Controllers

Converters & Recorders

Digital Panel Meters

Current Transformers

Analogue Panel Meters

Shunts

Digital Multimeters

Clamp Meters

Insulation Testers

OMEGA XMER

Powered by technology
...driven by service

View our full range online
www.sifamtinsley.com

All dimensions are in mm.

NOTE: Please consult Sifam Tinsley on 1A secondary for availability.

Features given vary from product to product -
for more detailed product specific info please
visit our website www.sifamtinsley.com

View our full range online: www.sifamtinsley.com

OMEGA XMER

OMEGA XMER

OMEGA XMER CT's are square type and encapsulated with UL94V-0 approved polycarbonate. These metering CT's feature sealable terminal covers and a wide range of primary current ratings. Available in various, Bus bar sizes, case widths, and mounting options.

Specifications

- Primary current 5A to 7500A
- Secondary current 1A or 5A
- Accuracy class 0.5 and 1 (on request 0.2)
- Over current limiting factor FS5, FS10, FS15
- Rated frequency 50Hz or 60Hz
- Rated continuous thermal current (standard) 1,2 x in
- Rated short time thermal current with 60 x in, 1 s (Max 40kA)
- Rated isolation level 0.72/3 kV or 0.72/4 kV
- Altitude up to 2000 m
- Degree of protection IP20
- Degree of pollution 2
- Ambient temperature -5°C to + 55°C (0-95% relative humidity, non condensing!)
- Storage temperature -25°C to + 70°C
- Applied standards IEC 60044-1 / IEC 61869-1 : Performance, IEC - 61010 - 2 : Safety.



Features

- Comprehensive class accuracy
- Cost effective moulded case current transformer
- Various mounting options including wall mounting, cable mounting, bus bar mounting and DIN rail mounting
- Available in 0.2 & 0.2s accuracy class
- Wire sealable terminal covers

OMEGA XMER

LCTM 62/W (62mm wide x 40mm deep)

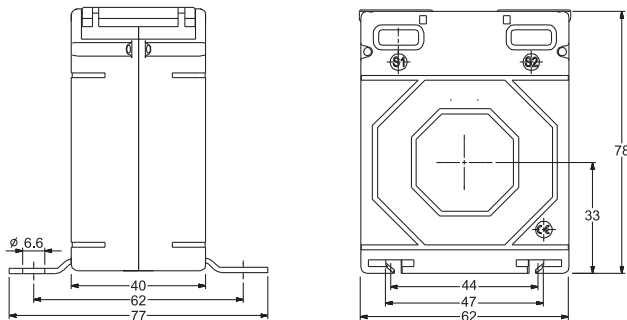
Cat No.	Ratio	VA at CL 0.5
XW01-045055S000000	5/5A	2.5VA
XW01-065055S000000	10/5A	2.5VA
XW01-075055S000000	15/5A	2.5VA
XW01-085055S000000	20/5A	2.5VA
XW01-105055S000000	30/5A	2.5VA

Primary Ratios available from 1A to 30A

Cat No.	Ratio	VA at CL 1.0
XW01-045081S000000	5/5A	5VA
XW01-065081S000000	10/5A	5VA
XW01-075081S000000	15/5A	5VA
XW01-085081S000000	20/5A	5VA
XW01-105081S000000	30/5A	5VA

Primary Ratios available from 1A to 30A

Dimensions



LCTM 62/W



LCTM 74/W



LCTM 74/W (74mm wide x 45mm deep)

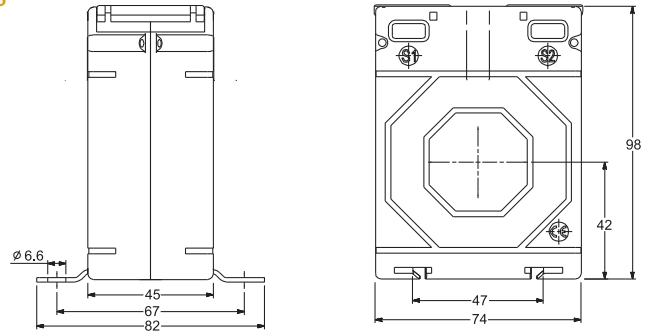
Cat No.	Ratio	VA at CL 0.5
XW02-045085S000000	5/5A	5VA
XW02-065085S000000	10/5A	5VA
XW02-075085S000000	15/5A	5VA
XW02-085085S000000	20/5A	5VA
XW02-105085S000000	30/5A	5VA
XW02-115085S000000	40/5A	5VA
XW02-135085S000000	50/5A	5VA
XW02-145085S000000	60/5A	5VA

Primary Ratios available from 1A to 60A

Cat No.	Ratio	VA at CL 1.0
XW02-045111S000000	5/5A	10VA
XW02-065111S000000	10/5A	10VA
XW02-075111S000000	15/5A	10VA
XW02-085111S000000	20/5A	10VA
XW02-105111S000000	30/5A	10VA
XW02-115111S000000	40/5A	10VA
XW02-135111S000000	50/5A	10VA
XW02-145111S000000	60/5A	10VA

Primary Ratios available from 1A to 60A

Dimensions



LCTR 45/14



LCTR 45/14 (45mm wide x 40mm deep x 14mm I.D.)

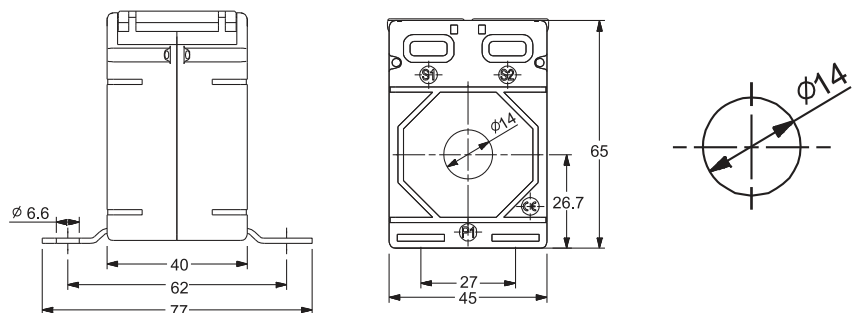
Cat No.	Ratio	VA at CL 0.5
XM01-175015S000000	80/5A	1VA
XM01-185035S000000	100/5A	1.5VA
XM01-205055S000000	125/5A	2.5VA
XM01-225055S000000	150/5A	2.5VA
XM01-245075S000000	200/5A	3.75VA
XM01-275085S000000	250/5A	5VA
XM01-285085S000000	300/5A	5VA

Primary Ratios available from 80A to 300A

Cat No.	Ratio	VA at CL 1.0
XM01-105011S000000	30/5A	1VA
XM01-115011S000000	40/5A	1VA
XM01-135031S000000	50/5A	1.5VA
XM02-145031S000000	60/5A	1.5VA
XM01-175051S000000	80/5A	2.5VA
XM01-185071S000000	100/5A	3.75VA
XM01-205071S000000	125/5A	3.75VA
XM01-225081S000000	150/5A	5VA
XM01-245101S000000	200/5A	7.5VA
XM01-275101S000000	250/5A	7.5VA
XM01-285081S000000	300/5A	10VA

Primary Ratios available from 30A to 300A

Dimensions



Features given vary from product to product - for more detailed product specific info please visit our website www.sifamtinsley.com

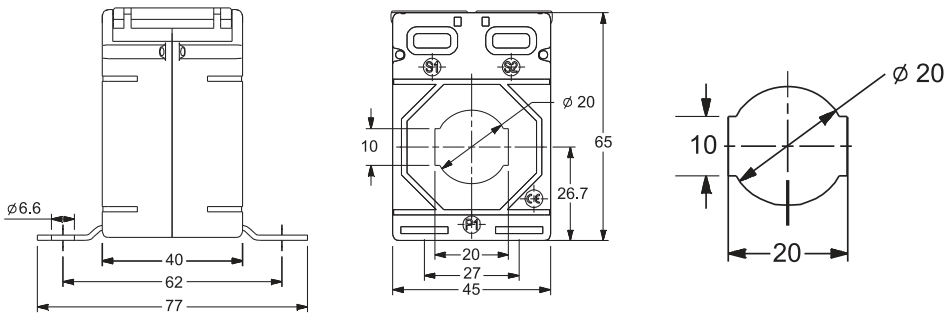
LCTR 45/21 (45mm wide x 40mm deep x (21 x 10mm) I.D.)

Cat No.	Ratio	VA at CL 0.5	Cat No.	Ratio	VA at CL 1.0
XM02-175015S000000	80/5A	1VA	XM02-135031S000000	50/5A	1.5VA
XM02-185035S000000	100/5A	1.5VA	XM02-145031S000000	60/5A	1.5VA
XM02-205055S000000	125/5A	2.5VA	XM02-175051S000000	80/5A	2.5VA
XM02-225055S000000	150/5A	2.5VA	XM02-185071S000000	100/5A	3.75VA
XM02-245075S000000	200/5A	3.75VA	XM02-205071S000000	125/5A	3.75VA
XM02-275075S000000	250/5A	3.75VA	XM02-225071S000000	150/5A	3.75VA
XM02-285085S000000	300/5A	5VA	XM02-245081S000000	200/5A	5VA
XM02-315085S000000	400/5A	5VA	XM02-275081S000000	250/5A	5VA
			XM02-285081S000000	300/5A	5VA
			XM02-315081S000000	400/5A	5VA

Primary Ratios available from 80A to 400A

Primary Ratios available from 50A to 400A

Dimensions



LCTR 45/21



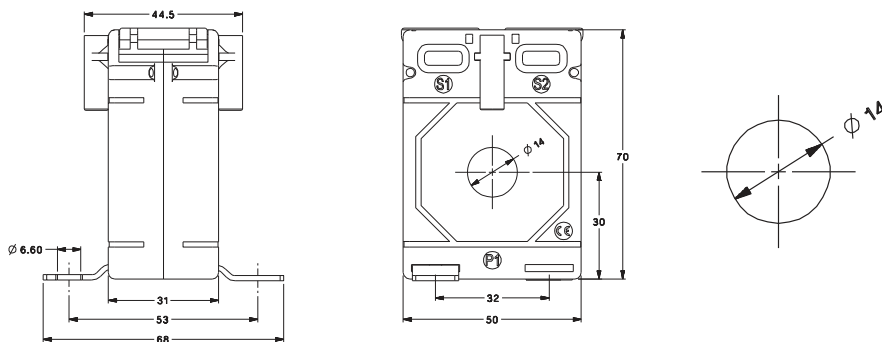
LCTR 50/14 (50mm wide x 30mm deep x (14mm) I.D.)

Cat No.	Ratio	VA at CL 0.5	Cat No.	Ratio	VA at CL 1.0
XM03-185055S000000	100/5A	2.5VA	XM03-115011S000000	40/5A	1VA
XM03-205055S000000	125/5A	2.5VA	XM03-135031S000000	50/5A	1.5VA
XM03-225075S000000	150/5A	3.75VA	XM03-145031S000000	60/5A	1.5VA
XM03-245075S000000	200/5A	3.75VA	XM03-175031S000000	80/5A	1.5VA
XM03-275085S000000	250/5A	5VA	XM03-185071S000000	100/5A	3.75VA
XM03-285105S000000	300/5A	7.5VA	XM03-205071S000000	125/5A	3.75VA
			XM03-225081S000000	150/5A	5VA
			XM03-245081S000000	200/5A	5VA
			XM03-275101S000000	250/5A	7.5VA
			XM03-285101S000000	300/5A	7.5VA

Primary Ratios available from 100A to 300A

Primary Ratios available from 40A to 300A

Dimensions



LCTR 50/14 (30)



LCTR 50/14 (50)



LCTR 50/14 (50) (50mm wide x 50mm deep x (14mm) I.D.)

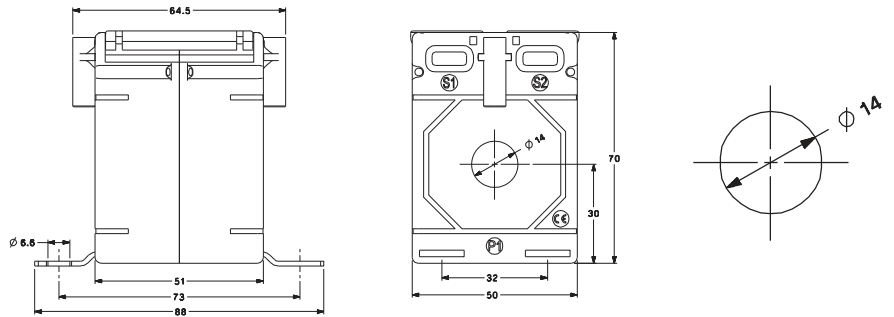
Cat No.	Ratio	VA at CL 0.5
XM04-135035S000000	50/5A	1.5VA
XM04-145035S000000	60/5A	1.5VA
XM04-175055S000000	80/5A	2.5VA
XM04-185075S000000	100/5A	3.75VA
XM04-205075S000000	125/5A	3.75VA
XM04-225085S000000	150/5A	5VA
XM04-245105S000000	200/5A	7.5VA
XM04-275115S000000	250/5A	10VA
XM04-285115S000000	300/5A	10VA

Primary Ratios available from 50A to 300A

Cat No.	Ratio	VA at CL 1.0
XM04-115011S000000	30/5A	1VA
XM04-115011S000000	40/5A	1VA
XM04-135031S000000	50/5A	1.5VA
XM04-145031S000000	60/5A	1.5VA
XM04-175081S000000	80/5A	5VA
XM04-185081S000000	100/5A	5VA
XM04-205081S000000	125/5A	5VA
XM04-225101S000000	150/5A	7.5VA
XM04-245111S000000	200/5A	10VA
XM04-275111S000000	250/5A	10VA
XM04-285111S000000	300/5A	10VA

Primary Ratios available from 30A to 300A

Dimensions



LCTR 50/21 (30)



LCTR 50/21 (30) (50mm wide x 30mm deep x (21 x 10mm) I.D.)

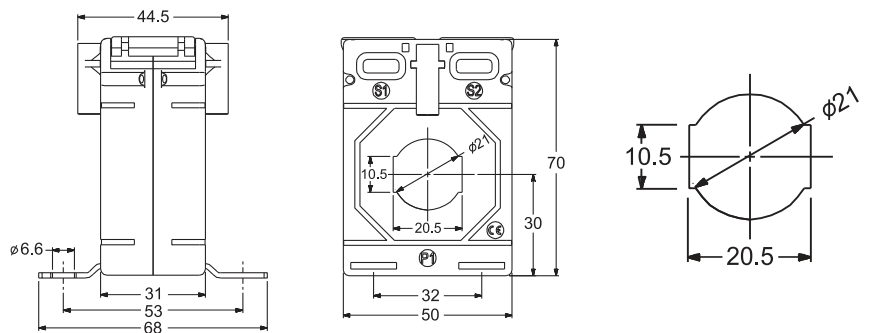
Cat No.	Ratio	VA at CL 0.5
XM05-175015S000000	80/5A	1VA
XM05-185035S000000	100/5A	1.5VA
XM05-205055S000000	125/5A	2.5VA
XM05-225055S000000	150/5A	2.5VA
XM05-245075S000000	200/5A	3.75VA
XM05-275085S000000	250/5A	5VA
XM05-285085S000000	300/5A	5VA
XM05-315085S000000	400/5A	5VA

Primary Ratios available from 80A to 400A

Cat No.	Ratio	VA at CL 1.0
XM05-135011S000000	50/5A	1VA
XM05-145011S000000	60/5A	1VA
XM05-175051S000000	80/5A	2.5VA
XM05-185051S000000	100/5A	2.5VA
XM05-205071S000000	125/5A	3.75VA
XM05-225081S000000	150/5A	5VA
XM05-245081S000000	200/5A	5VA
XM05-275085S000000	250/5A	5VA
XM05-285101S000000	300/5A	7.5VA
XM05-315101S000000	400/5A	7.5VA

Primary Ratios available from 50A to 400A

Dimensions



All dimensions are in mm.

NOTE: Please consult Sifam Tinsley on 1A secondary for availability.

Features given vary from product to product - for more detailed product specific info please visit our website www.sifamtinsley.com

LCTR 50/21 (50) (50mm wide x 50mm deep x (21 x 10mm) I.D.)

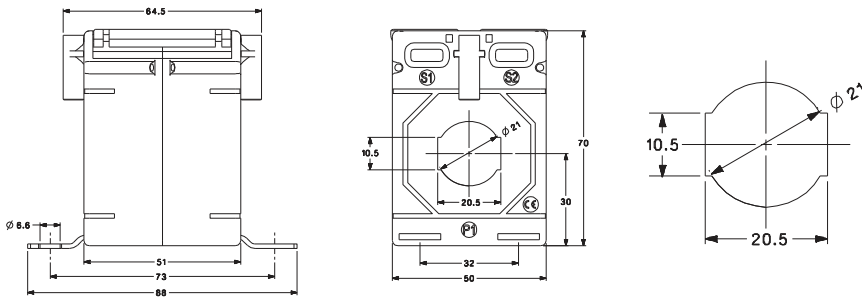
Cat No.	Ratio	VA at CL 0.5	Cat No.	Ratio	VA at CL 1.0
XM06-135015S000000	50/5A	1VA	XM06-145051S000000	60/5A	2.5VA
XM06-145015S000000	60/5A	1VA	XM06-175071S000000	80/5A	5VA
XM06-175055S000000	80/5A	2.5VA	XM06-185071S000000	100/5A	5VA
XM06-185055S000000	100/5A	2.5VA	XM06-205071S000000	125/5A	5VA
XM06-205085S000000	125/5A	5VA	XM06-225111S000000	150/5A	10VA
XM06-225085S000000	150/5A	5VA	XM06-245111S000000	200/5A	10VA
XM06-245105S000000	200/5A	7.5VA	XM06-275115S000000	250/5A	10VA
XM06-275105S000000	250/5A	7.5VA	XM06-285121S000000	300/5A	12.5VA
XM06-285105S000000	300/5A	7.5VA	XM06-315131S000000	400/5A	15VA
XM06-315115S000000	400/5A	10VA	Primary Ratios available from 60A to 400A		

Primary Ratios available from 50A to 400A

LCTR 50/21 (50)



Dimensions



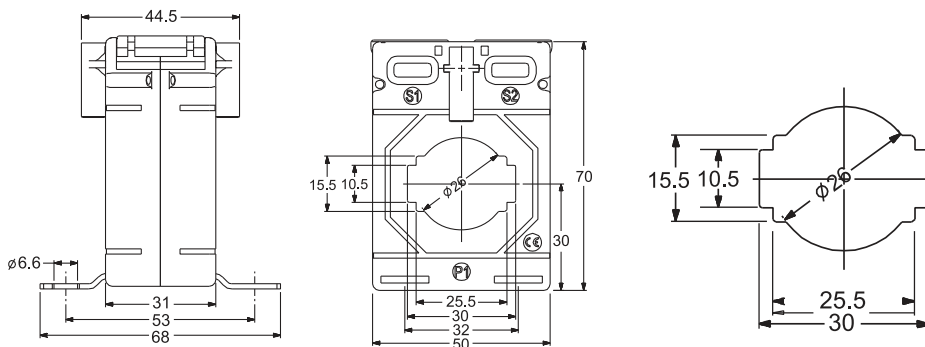
LCTB 50/30 (30) (50mm wide x 30mm deep x (30 x 10mm) I.D.)

Cat No.	Ratio	VA at CL 0.5	Cat No.	Ratio	VA at CL 1.0
XM07-185015S000000	100/5A	1VA	XM07-175031S000000	80/5A	1.5VA
XM07-205015S000000	125/5A	1VA	XM07-185051S000000	100/5A	2.5VA
XM07-225055S000000	150/5A	2.5VA	XM07-205051S000000	125/5A	2.5VA
XM07-245055S000000	200/5A	2.5VA	XM07-225071S000000	150/5A	3.75VA
XM07-275081S000000	250/5A	5VA	XM07-245081S000000	200/5A	5VA
XM07-285085S000000	300/5A	5VA	XM07-275081S000000	250/5A	5VA
XM07-315085S000000	400/5A	5VA	XM07-285081S000000	300/5A	5VA
XM07-325085S000000	500/5A	5VA	XM07-315091S000000	400/5A	6.25VA
XM07-335085S000000	600/5A	5VA	XM07-325091S000000	500/5A	6.25VA
Primary Ratios available from 100A to 600A			XM07-335101S000000	600/5A	7.5VA

LCTB 50/30 (30)



Dimensions



LCTB 50/30 (50)



LCTB 50/30 (50) (50mm wide x 50mm deep x (30 x 30mm) I.D.)

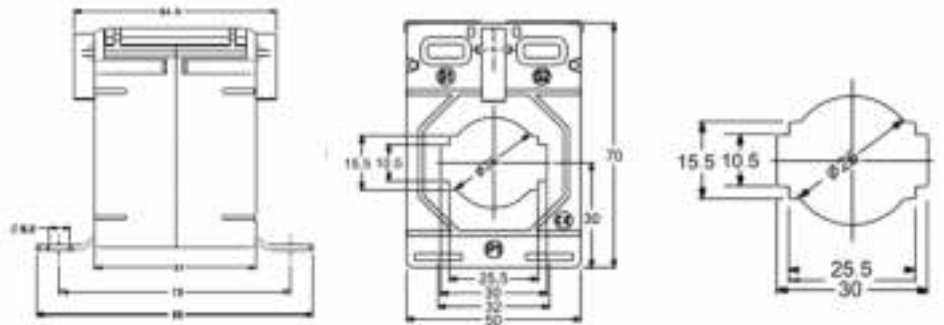
Cat No.	Ratio	VA at CL 0.5
XM08-185055S000000	100/5A	2.5VA
XM08-205055S000000	125/5A	2.5VA
XM08-225055S000000	150/5A	5VA
XM08-2450855S000000	200/5A	5VA
XM08-275085S000000	250/5A	5VA
XM08-285085S000000	300/5A	5VA
XM08-315115S000000	400/5A	10VA
XM08-325115S000000	500/5A	10VA
XM08-335115S000000	600/5A	10VA

Primary Ratios available from 100A to 600A

Cat No.	Ratio	VA at CL 1.0
XM08-175051S000000	80/5A	2.5VA
XM08-185081S000000	100/5A	5VA
XM08-205081S000000	125/5A	5VA
XM08-225081S000000	150/5A	5VA
XM08-245101S000000	200/5A	7.5VA
XM08-275111S000000	250/5A	10VA
XM08-285111S000000	300/5A	10VA
XM08-315121S000000	400/5A	12.5VA
XM08-325121S000000	500/5A	12.5VA
XM08-335131S000000	600/5A	15VA

Primary Ratios available from 50A to 600A

Dimensions



LCTB 62R



LCTB 62R (62mm Wide x 40mm deep x (22.5mm) I.D.)

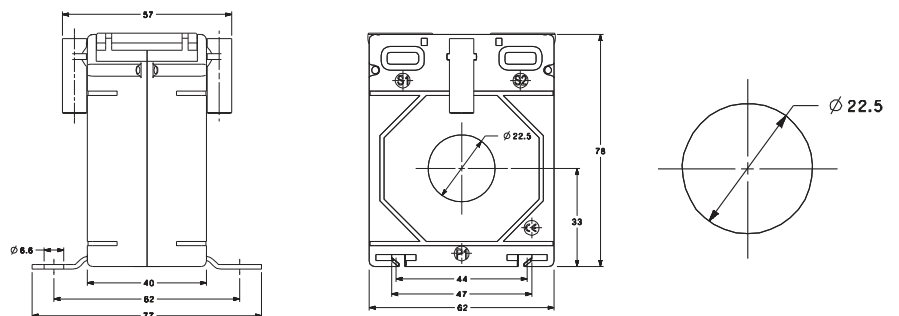
Cat No.	Ratio	VA at CL 0.5
XM09-185055S000000	100/5A	2.5VA
XM09-205075S000000	125/5A	3.75VA
XM09-225085S000000	150/5A	5VA
XM09-245105S000000	200/5A	7.5VA
XM09-275115S000000	250/5A	10VA
XM09-285115S000000	300/5A	10VA
XM09-315135S000000	400/5A	15VA
XM09-325135S000000	500/5A	15VA
XM09-335135S000000	600/5A	15VA

Primary Ratios available from 100A to 600A

Cat No.	Ratio	VA at CL 1.0
XM09-135021S000000	50/5A	1.5VA
XM09-145051S000000	60/5A	2.5VA
XM09-175051S000000	80/5A	2.5VA
XM09-185081S000000	100/5A	5VA
XM09-205081S000000	125/5A	5VA
XM09-225101S000000	150/5A	7.5VA
XM09-245111S000000	200/5A	10VA
XM09-275131S000000	250/5A	15VA
XM09-285131S000000	300/5A	15VA
XM09-315131S000000	400/5A	15VA
XM09-325131S000000	500/5A	15VA
XM09-335131S000000	600/5A	15VA

Primary Ratios available from 50A to 600A

Dimensions



All dimensions are in mm.

NOTE: Please consult Sifam Tinsley on 1A secondary for availability.

Features given vary from product to product - for more detailed product specific info please visit our website www.sifamtinsley.com

LCTB 62/20 (62mm Wide x 40mm deep x (20.5x20.5mm) I.D.)

Cat No.	Ratio	VA at CL 0.5	Cat No.	Ratio	VA at CL 1.0
XM10-175035S000000	80/5A	1.5VA	XM10-135031S000000	50/5A	1.5VA
XM10-185055S000000	100/5A	2.5VA	XM10-145051S000000	60/5A	2.5VA
XM10-205075S000000	125/5A	3.75VA	XM10-175071S000000	80/5A	3.75VA
XM10-225085S000000	150/5A	5VA	XM10-185081S000000	100/5A	5VA
XM10-245105S000000	200/5A	7.5VA	XM10-205081S000000	125/5A	5VA
XM10-275115S000000	250/5A	10VA	XM10-225101S000000	150/5A	7.5VA
XM10-285115S000000	300/5A	10VA	XM10-245111S000000	200/5A	10VA
XM10-315135S000000	400/5A	15VA	XM10-275131S000000	250/5A	15VA
			XM10-285131S000000	300/5A	15VA
			XM10-315131S000000	400/5A	15VA

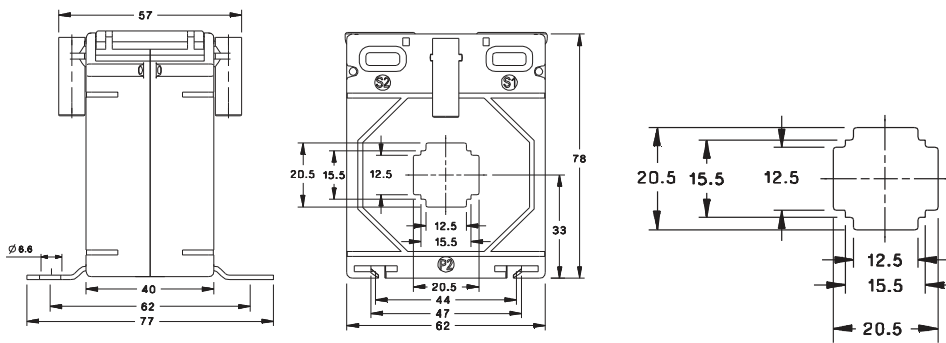
Primary Ratios available from 80A to 400A

Primary Ratios available from 50A to 400A

LCTB 62/20



Dimensions



LCTB 62/30 (62mm Wide x 40mm deep x (30 x 11mm) I.D.)

Cat No.	Ratio	VA at CL 0.5	Cat No.	Ratio	VA at CL 1.0
XM11-185035S000000	100/5A	1.5VA	XM11-185051S000000	100/5A	2.5VA
XM11-205055S000000	125/5A	2.5VA	XM11-205071S000000	125/5A	3.75VA
XM11-225075S000000	150/5A	3.75VA	XM11-225081S000000	150/5A	5VA
XM11-245085S000000	200/5A	5VA	XM11-245101S000000	200/5A	7.5VA
XM11-275085S000000	250/5A	5VA	XM11-275101S000000	250/5A	7.5VA
XM11-285085S000000	300/5A	5VA	XM11-285111S000000	300/5A	10VA
XM11-315105S000000	400/5A	7.5VA	XM11-315121S000000	400/5A	12.5VA
XM11-325115S000000	500/5A	10VA	XM11-325121S000000	500/5A	12.5VA
XM11-335135S000000	600/5A	15VA	XM11-335131S000000	600/5A	15VA
XM11-335135S000000	750/5A	15VA			
XM11-335135S000000	800/5A	15VA			

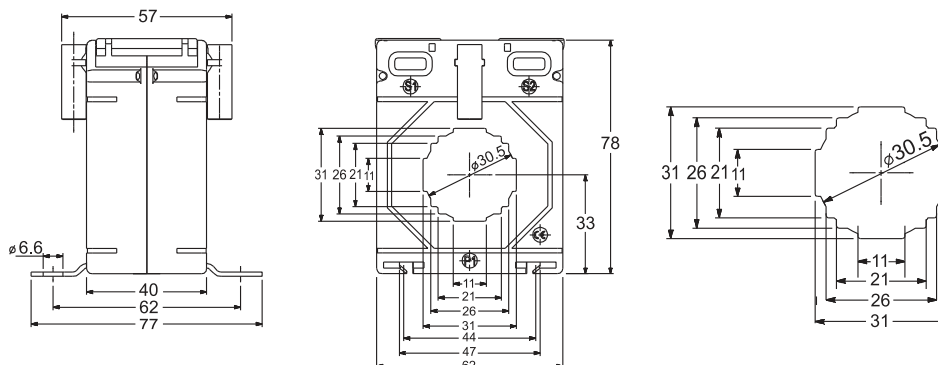
Primary Ratios available from 100A to 800A

Primary Ratios available from 100A to 800A

LCTB 62/30



Dimensions



LCTB 62/30 (50)



LCTB 62/30 (50) (62mm wide x 50mm deep x (30 x 11mm) I.D.)

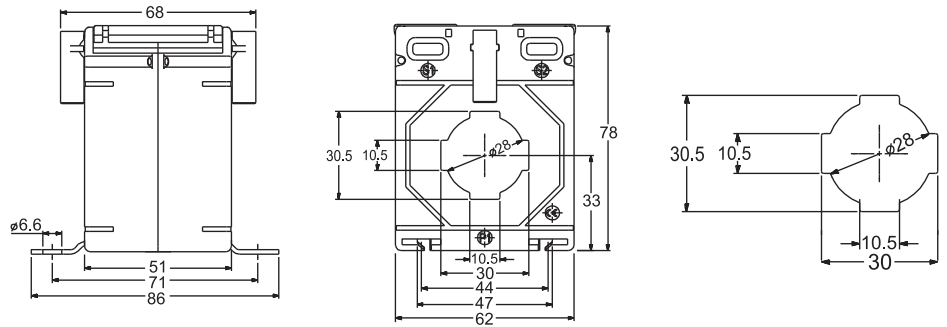
Cat No.	Ratio	VA at CL 0.5
XM12-185085S000000	100/5A	5VA
XM12-205085S000000	125/5A	5VA
XM12-225085S000000	150/5A	5VA
XM12-245115S000000	200/5A	10VA
XM12-275135S000000	250/5A	15VA
XM12-285135S000000	300/5A	15VA
XM12-315135S000000	400/5A	15VA
XM12-325135S000000	500/5A	15VA
XM12-335145S000000	600/5A	20VA
XM12-365145S000000	750/5A	20VA
XM12-375145S000000	800/5A	20VA

Primary Ratios available from 100A to 800A

Cat No.	Ratio	VA at CL 1.0
XM12-185081S000000	100/5A	5VA
XM12-205081S000000	125/5A	5VA
XM12-225101S000000	150/5A	7.5VA
XM12-245131S000000	200/5A	15VA
XM12-275131S000000	250/5A	15VA
XM12-285131S000000	300/5A	15VA
XM12-315151S000000	400/5A	30VA
XM12-325151S000000	500/5A	30VA
XM12-335151S000000	600/5A	30VA
XM12-365151S000000	750/5A	30VA
XM12-375151S000000	800/5A	30VA

Primary Ratios available from 40A to 800A

Dimensions



LCTB 62/40



LCTB 62/40 (62mm wide x 40mm deep x (40 x 11mm) I.D.)

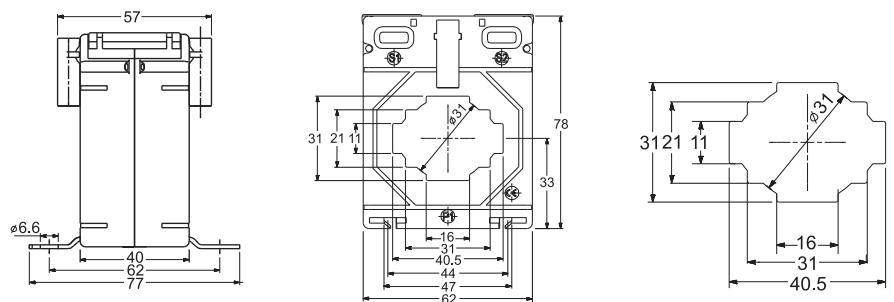
Cat No.	Ratio	VA at CL 0.5
XM13-245035S000000	200/5A	1.5VA
XM13-275055S000000	250/5A	2.5VA
XM13-285085S000000	300/5A	5VA
XM13-315085S000000	400/5A	5VA
XM13-325085S000000	500/5A	5VA
XM13-335105S000000	600/5A	7.5VA
XM13-365115S000000	750/5A	10VA
XM13-375115S000000	800/5A	10VA

Primary Ratios available from 200A to 800A

Cat No.	Ratio	VA at CL 1.0
XM13-185011S000000	100/5A	1VA
XM13-205031S000000	125/5A	1.5VA
XM13-225051S000000	150/5A	2.5VA
XM13-245071S000000	200/5A	3.75VA
XM13-275081S000000	250/5A	5VA
XM13-285081S000000	300/5A	5VA
XM13-315081S000000	400/5A	5VA
XM13-325101S000000	500/5A	7.5VA
XM13-335111S000000	600/5A	10VA
XM13-365111S000000	750/5A	10VA
XM13-375111S000000	800/5A	10VA

Primary Ratios available from 100A to 800A

Dimensions



All dimensions are in mm.

NOTE: Please consult Sifam Tinsley on 1A secondary for availability.

Features given vary from product to product - for more detailed product specific info please visit our website www.sifamtinsley.com

LCTB 74/20 (74mm wide x 45mm deep x (20.4mm) I.D.)

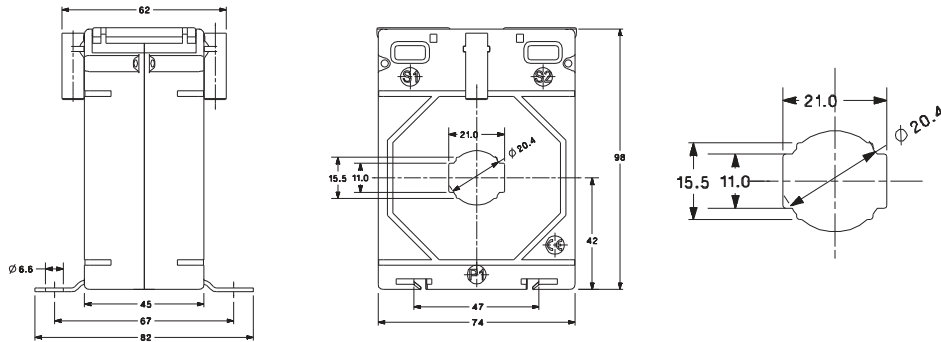
Cat No.	Ratio	VA at CL 0.5	Cat No.	Ratio	VA at CL 1.0
XM14-185085S000000	100/5A	5VA	XM14-185101S000000	100/5A	7.5VA
XM14-205085S000000	125/5A	5VA	XM14-205111S000000	125/5A	10VA
XM14-225105S000000	150/5A	7.5VA	XM14-225121S000000	150/5A	12.5VA
XM14-245115S000000	200/5A	10VA	XM14-245131S000000	200/5A	15VA
XM14-275115S000000	250/5A	10VA	XM14-275131S000000	250/5A	15VA
XM14-285135S000000	300/5A	15VA	XM14-285131S000000	300/5A	15VA
XM14-315135S000000	400/5A	15VA	XM14-315141S000000	400/5A	20VA

Primary Ratios available from 80A to 400A Primary Ratios available from 50A to 400A

LCTB 74/20



Dimensions



LCTB 74/30 (74mm wide x 45mm deep x (31x31mm) I.D.)

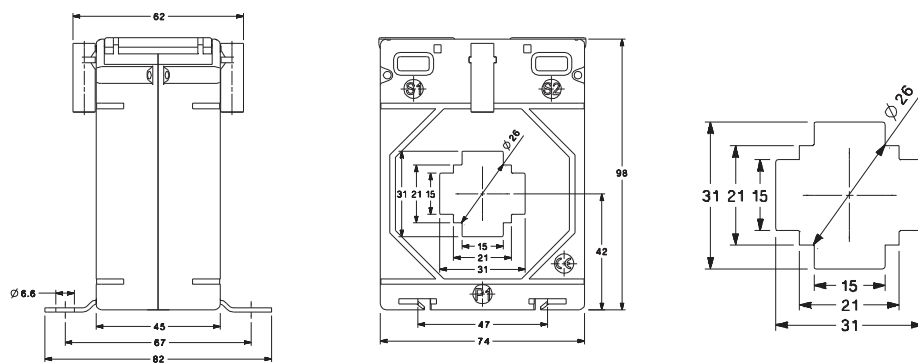
Cat No.	Ratio	VA at CL 0.5	Cat No.	Ratio	VA at CL 1.0
XM15-185055S000000	100/5A	2.5VA	XM15-185081S000000	100/5A	5VA
XM15-205055S000000	125/5A	2.5VA	XM15-205081S000000	125/5A	5VA
XM15-225085S000000	150/5A	5VA	XM15-225101S000000	150/5A	7.5VA
XM15-245115S000000	200/5A	10VA	XM15-245131S000000	200/5A	15VA
XM15-275115S000000	250/5A	10VA	XM15-275131S000000	250/5A	15VA
XM15-285115S000000	300/5A	10VA	XM15-285131S000000	300/5A	15VA
XM15-315135S000000	400/5A	15VA	XM15-315141S000000	400/5A	20VA
XM15-325135S000000	500/5A	15VA	XM15-325141S000000	500/5A	20VA
XM15-335135S000000	600/5A	15VA	XM15-335141S000000	600/5A	20VA
XM15-365145S000000	750/5A	20VA	XM15-365151S000000	750/5A	30VA
XM15-375155S000000	800/5A	30VA	XM15-375151S000000	800/5A	30VA

Primary Ratios available from 80A to 800A Primary Ratios available from 60A to 800A

LCTB 74/30



Dimensions



LCTB 74/40



LCTB 74/40 (74mm wide x 45mm deep x (41x41mm) I.D.)

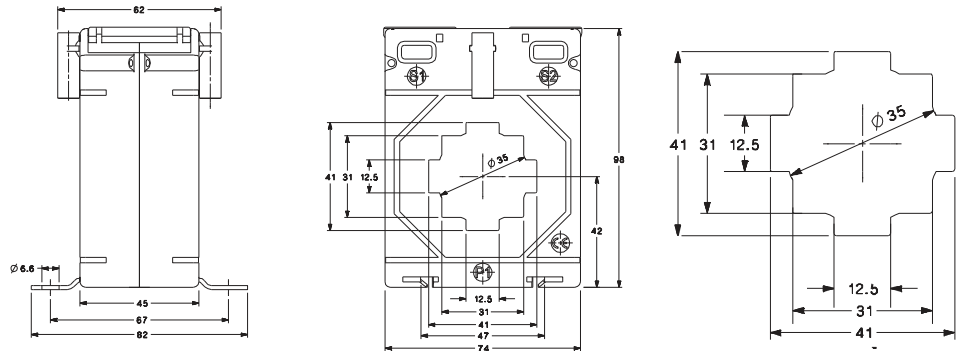
Cat No.	Ratio	VA at CL 0.5
XM16-185035S000000	100/5A	1.5VA
XM16-205035S000000	125/5A	1.5VA
XM16-225055S000000	150/5A	2.5VA
XM16-245075S000000	200/5A	3.75VA
XM16-275085S000000	250/5A	5VA
XM16-285085S000000	300/5A	5VA
XM16-315105S000000	400/5A	7.5VA
XM16-325115S000000	500/5A	10VA
XM16-335135S000000	600/5A	15VA
XM16-365135S000000	750/5A	15VA
XM16-375135S000000	800/5A	15VA
XM16-395135S000000	1000/5A	15VA

Primary Ratios available from 100A to 1000A

Cat No.	Ratio	VA at CL 1.0
XM16-185051S000000	100/5A	2.5VA
XM16-205051S000000	125/5A	2.5VA
XM16-225071S000000	150/5A	3.75VA
XM16-245081S000000	200/5A	5VA
XM16-275101S000000	250/5A	7.5VA
XM16-285101S000000	300/5A	7.5VA
XM16-315121S000000	400/5A	12.5VA
XM16-325131S000000	500/5A	15VA
XM16-335141S000000	600/5A	20VA
XM16-365141S000000	750/5A	20VA
XM16-375141S000000	800/5A	20VA
XM16-395141S000000	1000/5A	20VA

Primary Ratios available from 40A to 1000A

Dimensions



LCTB 74/50



LCTB 74/50 (74mm wide x 45mm deep x (50 x 12mm) I.D.)

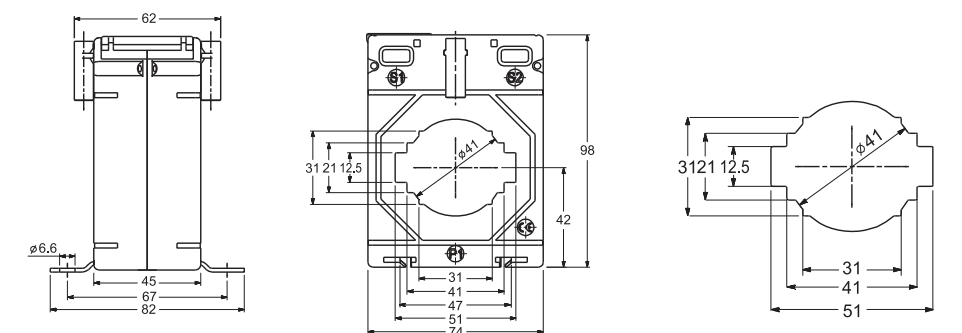
Cat No.	Ratio	VA at CL 0.5
XM17-275055S000000	250/5A	2.5VA
XM17-285085S000000	300/5A	5VA
XM17-315085S000000	400/5A	5VA
XM17-325105S000000	500/5A	7.5VA
XM17-335115S000000	600/5A	10VA
XM17-365125S000000	750/5A	12.5VA
XM17-375125S000000	800/5A	12.5VA
XM17-395125S000000	1000/5A	12.5VA

Primary Ratios available from 250A to 1000A

Cat No.	Ratio	VA at CL 1.0
XM17-185031S000000	100/5A	1.5VA
XM17-205031S000000	125/5A	1.5VA
XM17-225051S000000	150/5A	2.5VA
XM17-245071S000000	200/5A	3.75VA
XM17-275081S000000	250/5A	5VA
XM17-285101S000000	300/5A	7.5VA
XM17-315101S000000	400/5A	7.5VA
XM17-325111S000000	500/5A	10VA
XM17-335121S000000	600/5A	12.5VA
XM17-365131S000000	750/5A	15VA
XM17-375131S000000	800/5A	15VA
XM17-395131S000000	1000/5A	15VA

Primary Ratios available from 100A to 1000A

Dimensions



All dimensions are in mm.

NOTE: Please consult Sifam Tinsley on 1A secondary for availability.

Features given vary from product to product - for more detailed product specific info please visit our website www.sifamtinsley.com

LCTB 86/40 (86mm wide x 45mm deep x (41 x 41mm) I.D.)

Cat No.	Ratio	VA at CL 0.5	Cat No.	Ratio	VA at CL 1.0
XM18-185035S000000	100/5A	1.5VA	XM18-185071S000000	100/5A	3.75VA
XM18-205055S000000	125/5A	2.5VA	XM18-205081S000000	125/5A	5VA
XM18-225075S000000	150/5A	3.75VA	XM18-225081S000000	150/5A	5VA
XM18-245085S000000	200/5A	5VA	XM18-245101S000000	200/5A	7.5VA
XM18-275105S000000	250/5A	7.5VA	XM18-275121S000000	250/5A	12.5VA
XM18-285115S000000	300/5A	10VA	XM18-285131S000000	300/5A	15VA
XM18-315135S000000	400/5A	15VA	XM18-315141S000000	400/5A	20VA
XM18-325145S000000	500/5A	20VA	XM18-325151S000000	500/5A	30VA
XM18-335155S000000	600/5A	30VA	XM18-335151S000000	600/5A	30VA
XM18-365155S000000	750/5A	30VA	XM18-365151S000000	750/5A	30VA
XM18-375155S000000	800/5A	30VA	XM18-375151S000000	800/5A	30VA
XM18-395155S000000	1000/5A	30VA	XM18-395151S000000	1000/5A	30VA

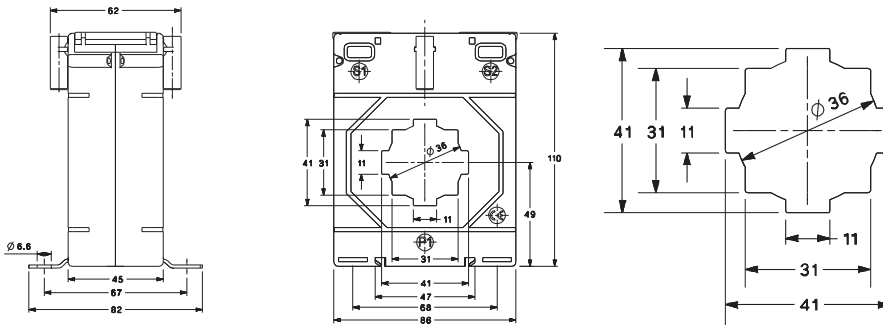
Primary Ratios available from 100A to 1000A

Primary Ratios available from 60A to 1000A

LCTB 86/40



Dimensions



LCTB 86/50 (86mm wide x 45mm deep x (51 x 51mm) I.D.)

Cat No.	Ratio	VA at CL 0.5	Cat No.	Ratio	VA at CL 1.0
XM19-245085S000000	200/5A	5VA	XM19-245101S000000	200/5A	7.5VA
XM19-275105S000000	250/5A	7.5VA	XM19-275111S000000	250/5A	10VA
XM19-285105S000000	300/5A	7.5VA	XM19-285111S000000	300/5A	10VA
XM19-315135S000000	400/5A	15VA	XM19-315131S000000	400/5A	15VA
XM19-325135S000000	500/5A	15VA	XM19-325141S000000	500/5A	20VA
XM19-335135S000000	600/5A	15VA	XM19-335141S000000	600/5A	20VA
XM19-365135S000000	750/5A	15VA	XM19-365141S000000	750/5A	20VA
XM19-375145S000000	800/5A	20VA	XM19-375151S000000	800/5A	30VA
XM19-395155S000000	1000/5A	30VA	XM19-395151S000000	1000/5A	30VA
XM19-405155S000000	1200/5A	30VA	XM19-405151S000000	1200/5A	30VA
XM19-415155S000000	1250/5A	30VA	XM19-415151S000000	1250/5A	30VA

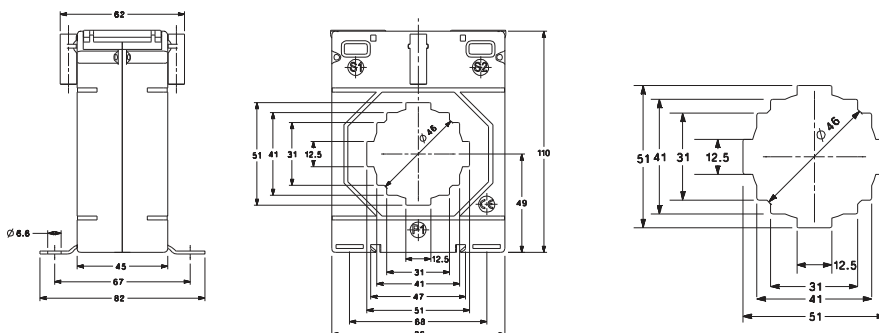
Primary Ratios available from 125A to 1250A

Primary Ratios available from 100A to 1250A

LCTB 86/50



Dimensions



LCTB 86/60



LCTB 86/60 (86mm wide x 45mm deep x (61 x 51mm) I.D.)

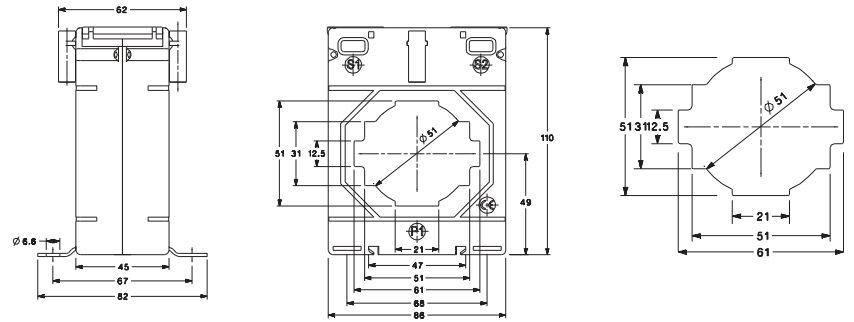
Cat No.	Ratio	VA at CL 0.5
XM20-275055S000000	250/5A	2.5VA
XM20-285085S000000	300/5A	5VA
XM20-315115S000000	400/5A	10VA
XM20-325115S000000	500/5A	10VA
XM20-335135S000000	600/5A	15VA
XM20-365135S000000	750/5A	15VA
XM20-375145S000000	800/5A	20VA
XM20-395145S000000	1000/5A	20VA
XM20-405145S000000	1200/5A	20VA
XM20-415145S000000	1250/5A	20VA
XM20-425145S000000	1500/5A	20VA
XM20-435145S000000	1600/5A	20VA

Primary Ratios available from 200A to 1600A

Cat No.	Ratio	VA at CL 1.0
XM20-275051S000000	250/5A	2.5VA
XM20-285081S000000	300/5A	5VA
XM20-315111S000000	400/5A	10VA
XM20-325111S000000	500/5A	10VA
XM20-335131S000000	600/5A	15VA
XM20-365141S000000	750/5A	20VA
XM20-375141S000000	800/5A	20VA
XM20-395141S000000	1000/5A	20VA
XM20-405141S000000	1200/5A	20VA
XM20-415141S000000	1250/5A	20VA
XM20-425141S000000	1500/5A	20VA
XM20-435141S000000	1600/5A	20VA

Primary Ratios available from 100A to 1600A

Dimensions



LCTB 104/60



LCTB 104/60 (104mm wide x 45mm deep x (60 x 12mm) I.D.)

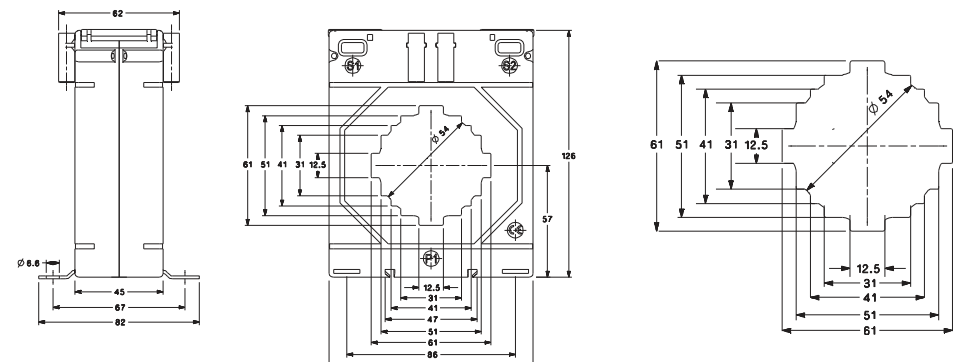
Cat No.	Ratio	VA at CL 0.5
XM21-275105S000000	250/5A	7.5VA
XM21-285115S000000	300/5A	10VA
XM21-315115S000000	400/5A	10VA
XM21-325135S000000	500/5A	15VA
XM21-335135S000000	600/5A	15VA
XM21-365145S000000	750/5A	20VA
XM21-375155S000000	800/5A	30VA
XM21-395155S000000	1000/5A	30VA
XM21-405155S000000	1200/5A	30VA
XM21-415155S000000	1250/5A	30VA
XM21-425155S000000	1500/5A	30VA
XM21-365155S000000	1600/5A	30VA

Primary Ratios available from 150A to 1600A

Cat No.	Ratio	VA at CL 1.0
XM21-275121S000000	250/5A	12.5VA
XM21-285131S000000	300/5A	15VA
XM21-315131S000000	400/5A	15VA
XM21-325141S000000	500/5A	20VA
XM21-335151S000000	600/5A	30VA
XM21-365151S000000	750/5A	30VA
XM21-375151S000000	800/5A	30VA
XM21-395161S000000	1000/5A	45VA
XM21-405161S000000	1200/5A	45VA
XM21-415161S000000	1250/5A	45VA
XM21-425161S000000	1500/5A	45VA
XM21-365161S000000	1600/5A	45VA

Primary Ratios available from 100A to 1600A

Dimensions



All dimensions are in mm.

NOTE: Please consult Sifam Tinsley on 1A secondary for availability.

Features given vary from product to product - for more detailed product specific info please visit our website www.sifamtinsley.com

LCTB 104/80 (104mm wide x 45mm deep x (80 x 12mm) I.D.)

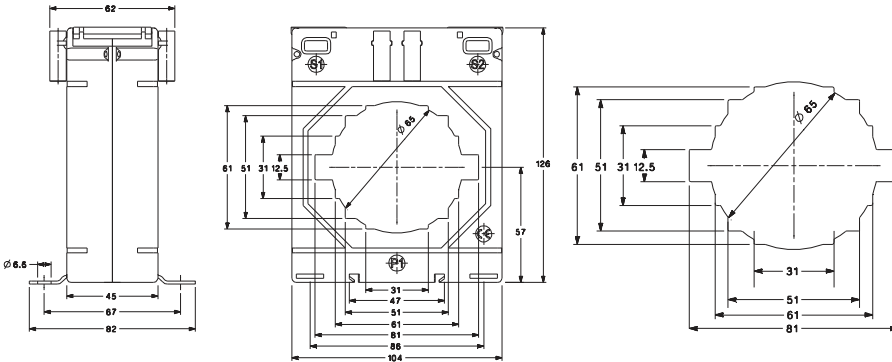
Cat No.	Ratio	VA at CL 0.5
XM22-275035S000000	250/5A	1.5VA
XM22-285055S000000	300/5A	2.5VA
XM22-315085S000000	400/5A	5VA
XM22-325085S000000	500/5A	5VA
XM22-335105S000000	600/5A	7.5VA
XM22-365115S000000	750/5A	10VA
XM22-375115S000000	800/5A	10VA
XM22-395145S000000	1000/5A	20VA
XM22-405145S000000	1200/5A	20VA
XM22-415145S000000	1250/5A	20VA
XM22-425145S000000	1500/5A	20VA
XM22-435145S000000	1600/5A	20VA
XM22-445145S000000	2000/5A	20VA

Primary Ratios available from 250A to 2000A

Cat No.	Ratio	VA at CL 1.0
XM22-275051S000000	250/5A	2.5VA
XM22-285101S000000	300/5A	7.5VA
XM22-315111S000000	400/5A	10VA
XM22-325111S000000	500/5A	10VA
XM22-335121S000000	600/5A	12.5VA
XM22-365131S000000	750/5A	15VA
XM22-375131S000000	800/5A	15VA
XM22-395141S000000	1000/5A	20VA
XM22-405151S000000	1200/5A	30VA
XM22-415151S000000	1250/5A	30VA
XM22-425151S000000	1500/5A	30VA
XM22-435151S000000	1600/5A	30VA
XM22-445151S000000	2000/5A	30VA

Primary Ratios available from 200A to 2000A

Dimensions



LCTB 104/80



LCTB 140/80 (140mm wide x 45mm deep x (80mm x 30mm) I.D.)

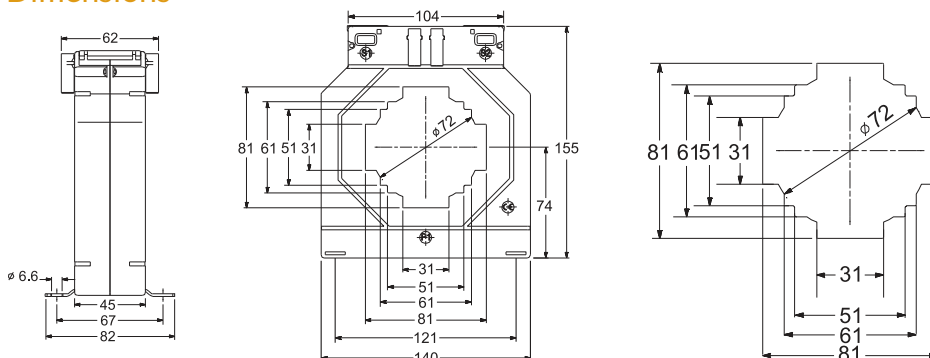
Cat No.	Ratio	VA at CL 0.5
XM23-275085S000000	250/5A	5VA
XM23-285105S000000	300/5A	7.5VA
XM23-315115S000000	400/5A	10VA
XM23-325135S000000	500/5A	15VA
XM23-335135S000000	600/5A	15VA
XM23-365135S000000	750/5A	15VA
XM23-375135S000000	800/5A	15VA
XM23-395155S000000	1000/5A	30VA
XM23-405155S000000	1200/5A	30VA
XM23-415175S000000	1250/5A	60VA
XM23-425175S000000	1500/5A	60VA
XM23-435175S000000	1600/5A	60VA
XM23-445175S000000	2000/5A	60VA

Primary Ratios available from 200A to 2000A

Cat No.	Ratio	VA at CL 1.0
XM23-275111S000000	250/5A	10VA
XM23-285131S000000	300/5A	15VA
XM23-315141S000000	400/5A	20VA
XM23-325151S000000	500/5A	30VA
XM23-335151S000000	600/5A	30VA
XM23-365161S000000	750/5A	45VA
XM23-375161S000000	800/5A	45VA
XM23-395171S000000	1000/5A	60VA
XM23-405171S000000	1200/5A	60VA
XM23-415171S000000	1250/5A	60VA
XM23-425171S000000	1500/5A	60VA
XM23-435171S000000	1600/5A	60VA
XM23-445171S000000	2000/5A	60VA

Primary Ratios available from 200A to 2000A

Dimensions



LCTB 140/80



LCTB 140/100H



LCTB 140/100H (140mm wide x 45mm deep x (100 x 30mm) I.D.)

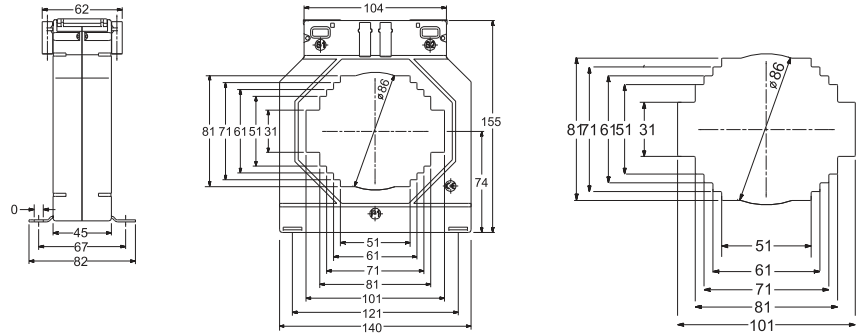
Cat No.	Ratio	VA at CL 0.5
XM24-325115S000000	500/5A	10VA
XM24-335115S000000	600/5A	10VA
XM24-365135S000000	750/5A	15VA
XM24-375135S000000	800/5A	15VA
XM24-395135S000000	1000/5A	15VA
XM24-405135S000000	1200/5A	15VA
XM24-415135S000000	1250/5A	15VA
XM24-425145S000000	1500/5A	20VA
XM24-435145S000000	1600/5A	20VA
XM24-445165S000000	2000/5A	45VA
XM24-466165S000000	2500/5A	45VA
XM24-485175S000000	3000/5A	60VA
XM24-515175S000000	4000/5A	60VA

Primary Ratios available from 200A to 4000A

Cat No.	Ratio	VA at CL 1.0
XM24-325151S000000	500/5A	12.5VA
XM24-335151S000000	600/5A	15VA
XM24-365161S000000	750/5A	20VA
XM24-375141S000000	800/5A	20VA
XM24-395141S000000	1000/5A	20VA
XM24-405151S000000	1200/5A	30VA
XM24-415151S000000	1250/5A	30VA
XM24-425151S000000	1500/5A	30VA
XM24-435161S000000	1600/5A	45VA
XM24-445161S000000	2000/5A	45VA
XM24-466161S000000	2500/5A	45VA
XM24-485171S000000	3000/5A	60VA
XM24-515171S000000	4000/5A	60VA

Primary Ratios available from 200A to 4000A

Dimensions



LCTB 140/100V



LCTB 140/100V (140mm wide x 45mm deep x (81 x 101mm) I.D.)

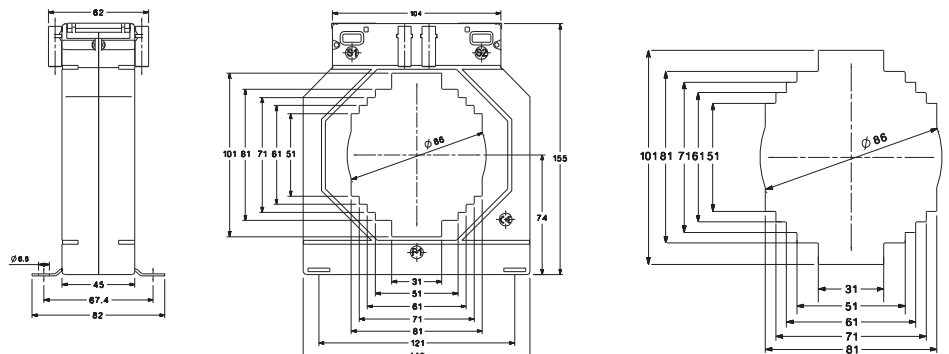
Cat No.	Ratio	VA at CL 0.5
XM25-325115S000000	500/5A	10VA
XM25-335125S000000	600/5A	12.5VA
XM25-365135S000000	750/5A	15VA
XM25-375135S000000	800/5A	15VA
XM25-395135S000000	1000/5A	15VA
XM25-405135S000000	1200/5A	15VA
XM25-415135S000000	1250/5A	15VA
XM25-425155S000000	1500/5A	30VA
XM25-435165S000000	1600/5A	45VA
XM25-445165S000000	2000/5A	45VA
XM25-466165S000000	2500/5A	45VA
XM25-485175S000000	3000/5A	60VA

Primary Ratios available from 200A to 3000A

Cat No.	Ratio	VA at CL 1.0
XM25-325121S000000	500/5A	12.5VA
XM25-335131S000000	600/5A	15VA
XM25-365141S000000	750/5A	20VA
XM25-375141S000000	800/5A	20VA
XM25-395141S000000	1000/5A	20VA
XM25-405151S000000	1200/5A	30VA
XM25-415151S000000	1250/5A	30VA
XM25-425151S000000	1500/5A	30VA
XM25-435161S000000	1600/5A	45VA
XM25-445161S000000	2000/5A	45VA
XM25-466161S000000	2500/5A	45VA
XM25-485171S000000	3000/5A	60VA

Primary Ratios available from 200A to 3000A

Dimensions



All dimensions are in mm.

NOTE: Please consult Sifam Tinsley on 1A secondary for availability.

Features given vary from product to product - for more detailed product specific info please visit our website www.sifamtinsley.com

LCTB 100/100V (140mm wide x 45mm deep x (41 x 103mm) I.D.)

Cat No.	Ratio	VA at CL 0.5
XR01-335055S000000	600/5A	2.5VA
XR01-365055S000000	750/5A	2.5VA
XR01-375085S000000	800/5A	5VA
XR01-395115S000000	1000/5A	10VA
XR01-405115S000000	1200/5A	10VA
XR01-415115S000000	1250/5A	10VA
XR01-425135S000000	1500/5A	15VA
XR01-435135S000000	1600/5A	15VA
XR01-445135S000000	2000/5A	15VA
XR01-465135S000000	2500/5A	15VA

Primary Ratios available from 400A to 2500A

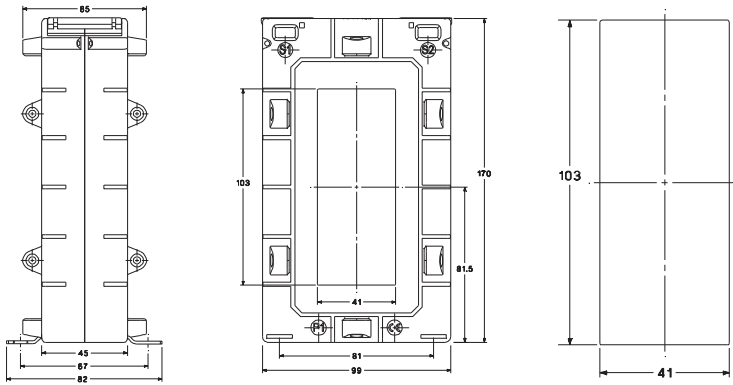
Cat No.	Ratio	VA at CL 1.0
XR01-335081S000000	600/5A	5VA
XR01-365081S000000	750/5A	5VA
XR01-375111S000000	800/5A	10VA
XR01-395131S000000	1000/5A	15VA
XR01-405131S000000	1200/5A	15VA
XR01-415131S000000	1250/5A	15VA
XR01-425151S000000	1500/5A	30VA
XR01-435151S000000	1600/5A	30VA
XR01-445151S000000	2000/5A	30VA
XR01-466141S000000	2500/5A	20VA

Primary Ratios available from 400A to 2500A

LCTB 100/100V



Dimensions



LCTB 100/130V (140mm wide x 45mm deep x (38 x 128mm) I.D.)

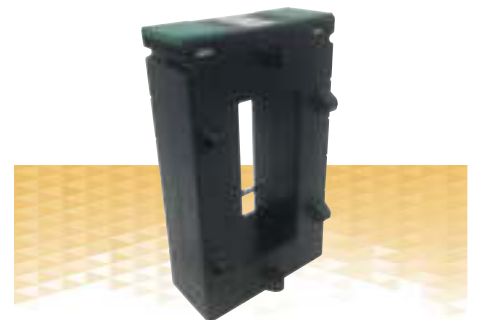
Cat No.	Ratio	VA at CL 0.5
XR02-335055S000000	600/5A	2.5VA
XR02-365055S000000	750/5A	2.5VA
XR02-375085S000000	800/5A	5VA
XR02-395115S000000	1000/5A	10VA
XR02-405115S000000	1200/5A	10VA
XR02-415115S000000	1250/5A	10VA
XR02-425135S000000	1500/5A	15VA
XR02-435135S000000	1600/5A	15VA
XR02-445135S000000	2000/5A	15VA
XR02-466135S000000	2500/5A	15VA
XR02-486115S000000	3000/5A	10VA
XR02-496115S000000	3200/5A	10VA

Primary Ratios available from 400A to 3200A

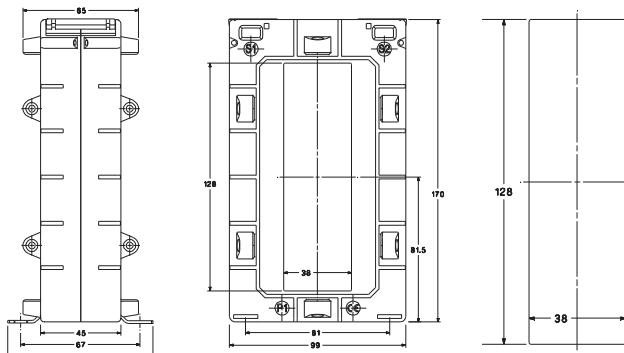
Cat No.	Ratio	VA at CL 1.0
XR02-335081S000000	600/5A	5VA
XR02-365081S000000	750/5A	5VA
XR02-375111S000000	800/5A	10VA
XR02-395131S000000	1000/5A	15VA
XR02-405131S000000	1200/5A	15VA
XR02-415131S000000	1250/5A	15VA
XR02-425151S000000	1500/5A	30VA
XR02-435151S000000	1600/5A	30VA
XR02-445151S000000	2000/5A	30VA
XR02-46615S000000	2500/5A	30VA
XR02-486121S000000	3000/5A	12.5VA
XR02-496121S000000	3200/5A	12.5VA

Primary Ratios available from 400A to 3200A

LCTB 100/130V



Dimensions



LCTB 140/130V



LCTB 140/130V (140mm wide x 45mm deep x (70 x 130mm) I.D.)

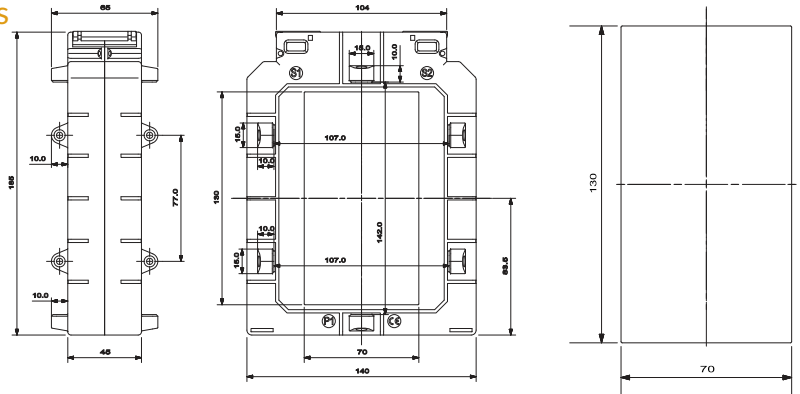
Cat No.	Ratio	VA at CL 0.5
XR03-335055S000000	600/5A	3.75VA
XR03-365055S000000	750/5A	5VA
XR03-375085S000000	800/5A	5VA
XR03-395115S000000	1000/5A	10VA
XR03-405115S000000	1200/5A	10VA
XR03-415115S000000	1250/5A	10VA
XR03-425135S000000	1500/5A	15VA
XR03-435135S000000	1600/5A	15VA
XR03-445145S000000	2000/5A	20VA
XR03-466145S000000	2500/5A	20VA
XR03-486145S000000	3000/5A	20VA
XR03-496145S000000	3200/5A	20VA
XR03-516145S000000	4000/5A	20VA
XR03-526145S000000	5000/5A	20VA

Primary Ratios available from 400A to 5000A

Cat No.	Ratio	VA at CL 1.0
XR03-335081S000000	600/5A	5VA
XR03-365101S000000	750/5A	7.5VA
XR03-375101S000000	800/5A	7.5VA
XR03-395111S000000	1000/5A	10VA
XR03-405131S000000	1200/5A	15VA
XR03-415131S000000	1250/5A	15VA
XR03-425131S000000	1500/5A	15VA
XR03-435131S000000	1600/5A	15VA
XR03-445141S000000	2000/5A	20VA
XR03-466141S000000	2500/5A	20VA
XR03-486141S000000	3000/5A	20VA
XR03-496141S000000	3200/5A	20VA
XR03-516141S000000	4000/5A	20VA
XR03-526141S000000	5000/5A	20VA

Primary Ratios available from 400A to 5000A

Dimensions



LCTB 225/125



LCTB 225/125 (225mm wide x 50mm deep x (125mm x 93mm) I.D.)

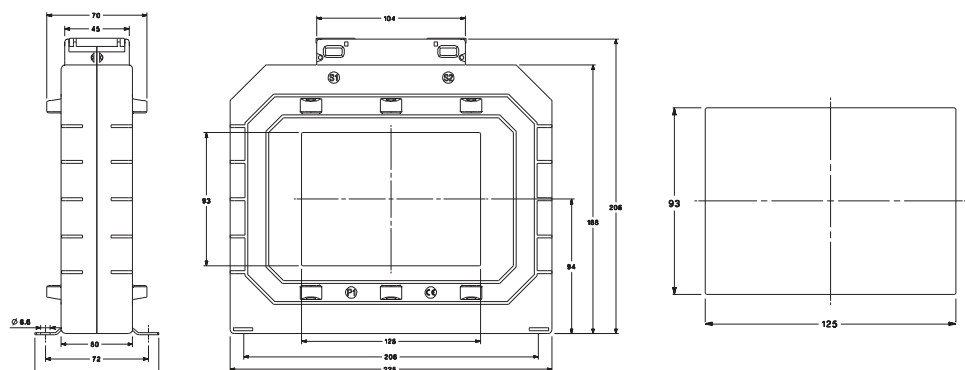
Cat No.	Ratio	VA at CL 0.5
XR04-395115S000000	1000/5A	10VA
XR04-405115S000000	1200/5A	10VA
XR04-415115S000000	1250/5A	10VA
XR04-425135S000000	1500/5A	15VA
XR04-435135S000000	1600/5A	15VA
XR04-445135S000000	2000/5A	15VA
XR04-465155S000000	2500/5A	30VA
XR04-485155S000000	3000/5A	30VA
XR04-515165S000000	4000/5A	45VA
XR04-525185S000000	5000/5A	100VA
XR04-535185S000000	6000/5A	100VA

Primary Ratios available from 600A to 6000A

Cat No.	Ratio	VA at CL 1.0
XR04-395131S000000	1000/5A	15VA
XR04-405131S000000	1200/5A	15VA
XR04-415131S000000	1250/5A	15VA
XR04-425151S000000	1500/5A	30VA
XR04-435151S000000	1600/5A	30VA
XR04-445151S000000	2000/5A	30VA
XR04-465151S000000	2500/5A	30VA
XR04-485171S000000	3000/5A	60VA
XR04-515171S000000	4000/5A	60VA
XR04-525181S000000	5000/5A	100VA
XR04-535181S000000	6000/5A	100VA

Primary Ratios available from 200A to 3000A

Dimensions



All dimensions are in mm.

NOTE: Please consult Sifam Tinsley on 1A secondary for availability.

Features given vary from product to product - for more detailed product specific info please visit our website www.sifamtinsley.com

LCTB 225/167 (225mm wide x 50mm deep x (167mm x 66mm) I.D.)

Cat No.	Ratio	VA at CL 0.5
XR05-395085S000000	1000/5A	5VA
XR05-405115S000000	1200/5A	10VA
XR05-415115S000000	1250/5A	10VA
XR05-425135S000000	1500/5A	15VA
XR05-435135S000000	1600/5A	15VA
XR05-445155S000000	2000/5A	30VA
XR05-465155S000000	2500/5A	30VA
XR05-485155S000000	3000/5A	30VA
XR05-515155S000000	4000/5A	30VA
XR05-525155S000000	5000/5A	30VA
XR05-535155S000000	6000/5A	30VA
XR05-545155S000000	7500/5A	30VA

Primary Ratios available from 1000A to 7500A

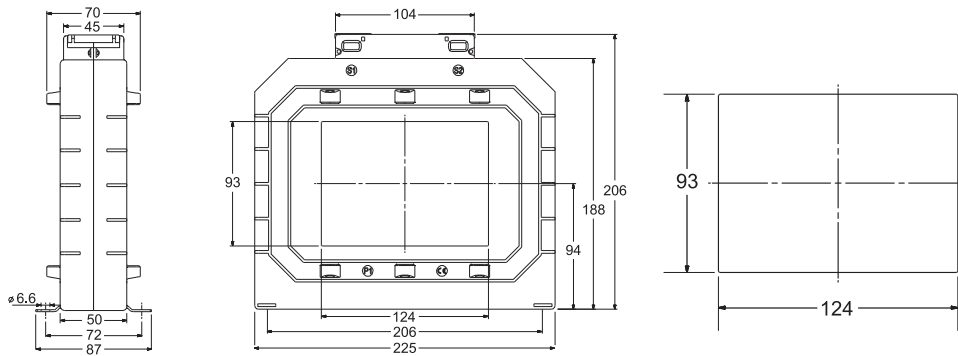
Cat No.	Ratio	VA at CL 1.0
XR05-395111S000000	1000/5A	10VA
XR05-405131S000000	1200/5A	15VA
XR05-415131S000000	1250/5A	15VA
XR05-425151S000000	1500/5A	30VA
XR05-435151S000000	1600/5A	30VA
XR05-445151S000000	2000/5A	30VA
XR05-465151S000000	2500/5A	45VA
XR05-485161S000000	3000/5A	45VA
XR05-515161S000000	4000/5A	45VA
XR05-525161S000000	5000/5A	45VA
XR05-535161S000000	6000/5A	45VA
XR05-545165S000000	7500/5A	45VA

Primary Ratios available from 1000A to 7500A

LCTB 225/167



Dimensions



LCTB 130/100V (140mm wide x 45mm deep x (101 x 56mm) I.D.)

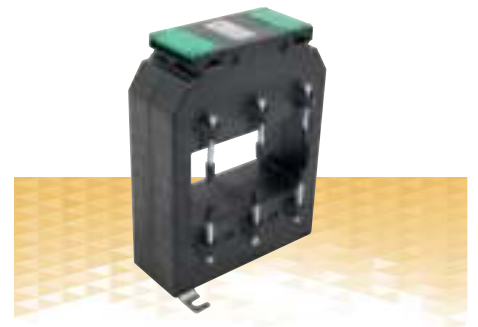
Cat No.	Ratio	VA at CL 0.5
XR06-335111S000000	600/5A	10VA
XR06-365111S000000	750/5A	10VA
XR06-375111S000000	800/5A	10VA
XR06-395131S000000	1000/5A	15VA
XR06-405131S000000	1200/5A	15VA
XR06-415131S000000	1250/5A	15VA
XR06-425131S000000	1500/5A	15VA
XR06-435131S000000	1600/5A	15VA
XR06-445131S000000	2000/5A	15VA
XR06-466131S000000	2500/5A	15VA
XR06-485131S000000	3000/5A	15VA

Primary Ratios available from 600A to 3000A

Cat No.	Ratio	VA at CL 1.0
XR06-335115S000000	600/5A	10VA
XR06-365115S000000	750/5A	10VA
XR06-375115S000000	800/5A	10VA
XR06-395135S000000	1000/5A	15VA
XR06-405135S000000	1200/5A	15VA
XR06-415135S000000	1250/5A	15VA
XR06-425135S000000	1500/5A	15VA
XR06-435135S000000	1600/5A	15VA
XR06-445135S000000	2000/5A	15VA
XR06-466135S000000	2500/5A	15VA
XR06-485135S000000	3000/5A	15VA

Primary Ratios available from 600A to 3000A

LCTB 130/100V



Dimensions

