

# P17G SEPARATOR SUPPLIED FROM A CURRENT LOOP

## Features:



For the separation of measuring signals (eg in PLC).

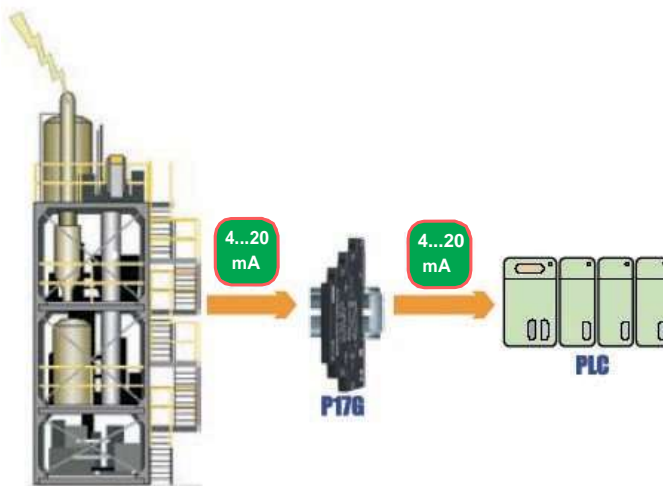
- Thin casing - 6.2 mm.
- Standard d.c. current output signal 0/4 - 20mA.
- Does not require an auxiliary supply voltage.



## Input:

0/4..20  
mA

## Example Of Application



Galvanic separation (protection of PLC controller inputs).

## Outputs:

0/4..20  
mA

## Galvanic Isolation:



### Inputs

Input type	Range	Overload	Error
Current 0..20 mA	0 .. 20 mA	Maximal input current 40 mA	<b>Conversion error:</b> +/- 0.2 %  <b>Additional errors:</b> - from load resistance changes =0.15 %/ 100 W - from ambient temperature changes: =0.05 %/ 10°C
	4 .. 20 mA		

### Outputs

Output type	Admissible load resistance	Pulsations
Current 0 .. 20 mA, (4..20 mA)	$R_{load} < 500 \text{ W}$	~10mV

### External features

Overall dimensions	6.2 x 77.5 x 100 mm	
Weight	80 g	
Protection grade	ensured by the casing: IP50	from terminal side: IP20
Fixing	on a 35 mm DIN rail	acc. to EN 60715

### Rated operating conditions

Temperature	ambient: -20...23...65°C	storage: -40...85°C
Humidity	< 95%	inadmissible condensation
Operating position	any	

# P17G SEPARATOR SUPPLIED FROM A CURRENT LOOP

## Safety and compatibility requirements

Electromagnetic compatibility	noise immunity	acc. to EN 61000-6-2
	noise emissions	acc. to EN 61000-6-4
Isolation between circuits	basic	acc. to EN 61010-1
Pollution level	2	
Installation category	III	
Maximal phase-to-earth operating voltage	50 V	

## Installation

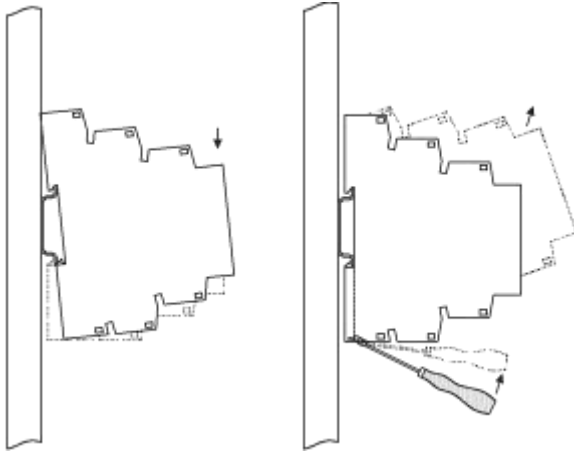


Fig.1. Way of assembling/disassembling on the rail.

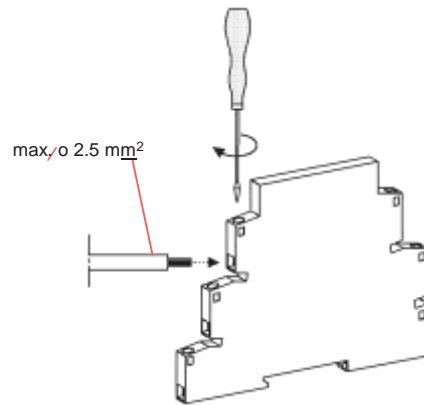
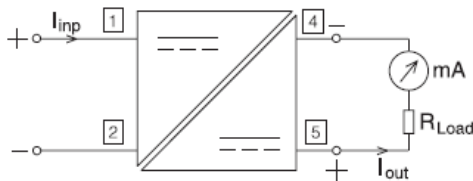


Fig.2. Way of wire fixing.

## Connection diagram



## Ordering

	P17G	XX	X
<b>Version:</b>			
standard		00	
as per order*		XX	
<b>Acceptance tests:</b>			
without extra quality requirements			8
with an extra quality inspection certificate			7
acc. to customer's request*			X

\*- after agreeing with the manufacturer

### ORDER EXAMPLE

The code: **P17G-00-8** means:  
**P17G** - passive separator of P17G type,  
**00** - standard version,  
**8** - without extra quality requirements.

### See also:



Programmable separator P20G.



Programmable temperature, resistance, voltage from shunt and standard signals-P20.



Transducer of temperature and standard signals - P30U.

### OUR OFFER



[www.sifamtinsley.com](http://www.sifamtinsley.com)

For more information about ST's products please visit our website:

[www.sifamtinsley.com](http://www.sifamtinsley.com)

Sifam Tinsley  
Instrumentation Inc.  
3105 Creekside Village  
Drive, Suite 801  
Kennesaw, GA 30144,  
USA  
Email:  
[info@sifamtinsley.com](mailto:info@sifamtinsley.com)  
Toll Free: 800-879-6171  
[www.sifamtinsley.com](http://www.sifamtinsley.com)