



Technical Data Sheet

*Omega ANSI  
Current Transformer Series*



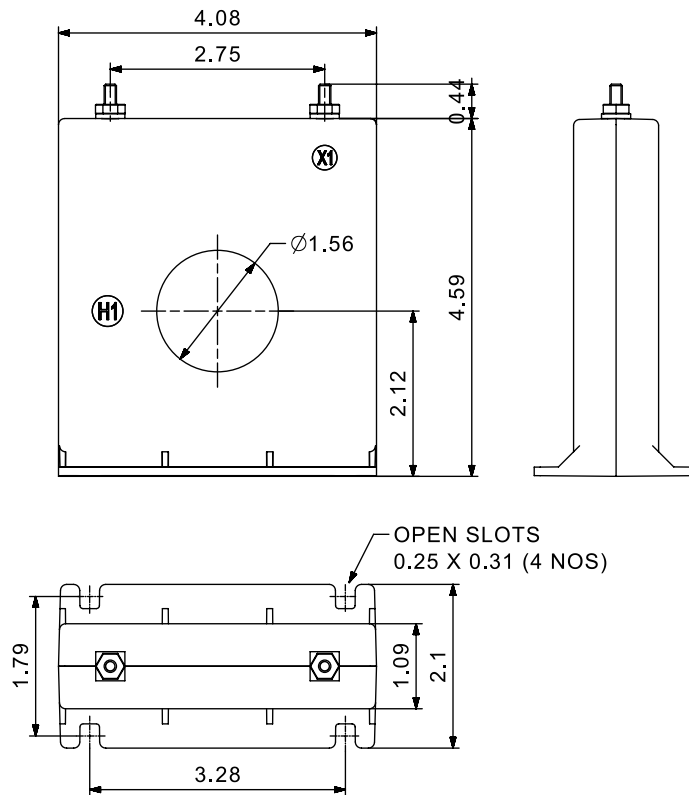
*Omega 30  
10ASFT*



Omega 30 - 10ASFT



\*All the mentioned dimensions are in inches



**Omega 30 - 10ASFT**

Current Ratio	VA @ ± 1% Class	ANSI METERING CLASS @ 60HZ					SECONDARY WINDING RESISTANCE (OHMS @ 75°C)	Cont. Thermal RF	
		B0.1	B0.2	B0.5	B0.9	B1.8		@30°C	@55°C
50:5	2.0 ± 2%	4.8	-	-	-	-	0.007	2.0	2.0
75:5	2.5	1.2	4.8	-	-	-	0.01	2.0	2.0
100:5	3	1.2	2.4	4.8	-	-	0.018	2.0	2.0
150:5	5	0.6	0.6	2.4	4.8	-	0.031	2.0	2.0
200:5	7.5	0.3	0.6	1.2	2.4	4.8	0.043	2.0	1.5
250:5	10	0.3	0.3	1.2	1.2	2.4	0.053	2.0	1.5
300:5	15	0.3	0.3	0.6	1.2	2.4	0.07	2.0	1.5
400:5	20	0.3	0.3	0.3	0.6	1.2	0.114	1.5	1.0
500:5	30	0.3	0.3	0.3	0.6	1.2	0.128	1.33	1.0
600:5	40	0.3	0.3	0.3	0.6	0.6	0.192	1.33	0.8

## Specification

- Frequency : 50-400 Hz.
- Insulation Level : 600 Volts. 10kV BIL. full wave
- WINDOW : 1.56"
- APROXIMATE WEIGHT : 2.5 lbs
- CONNECTIONS :
  - Terminals are brass studs No. 8-32 UNC with one flat washer, lockwasher, and regular nut

## Application

- Metering

---

**Sifam Tinsley Instrumentation Inc.**

**Address:** 2105 Barrett Park Dr, Unit 105, Kennesaw, GA 30144

**Tel.:** 800-879-6171 | **E-mail:** [info@sifamtinsley.com](mailto:info@sifamtinsley.com) | **Web:** [www.sifamtinsley.com](http://www.sifamtinsley.com)

---