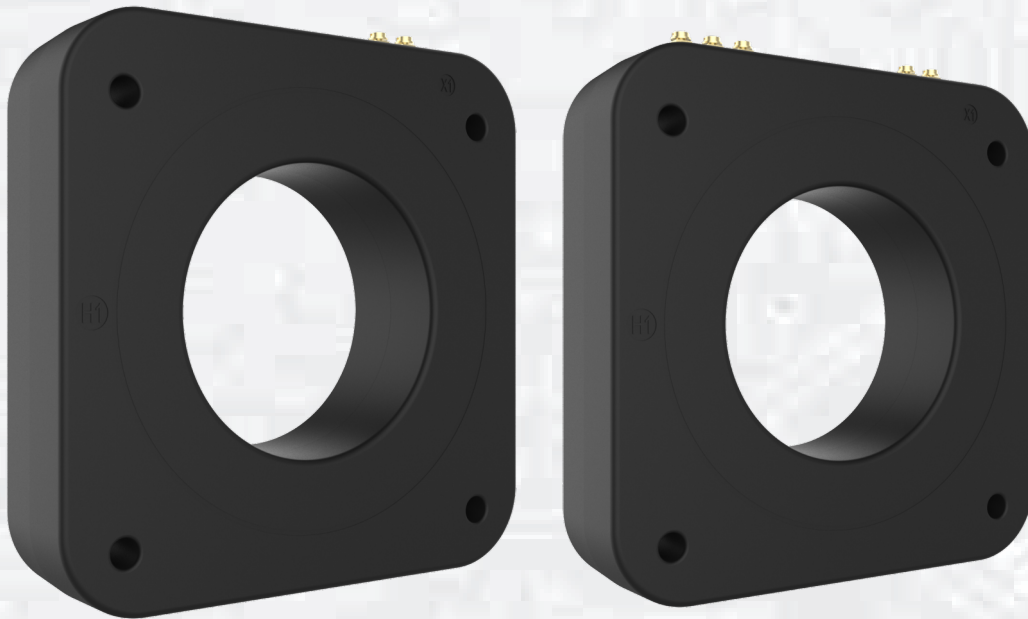




Technical Data Sheet

*Omega ANSI  
Current Transformer Series*



*Omega 30  
144ASHT, 144AMR*





**Omega 30 - 144ASHT**

Current Ratio	Relay Class	ANSI METERING CLASS @ 60HZ					SECONDARY WINDING RESISTANCE (OHMS @ 75 °C)	Cont. Thermal RF	
		B0.1	B0.2	B0.5	B0.9	B1.8		@30 °C	@55 °C
50:5	-	2.4	4.8	-	-	-	0.020	2.0	2.0
75:5	C10	1.2	2.4	-	-	-	0.032	2.0	2.0
100:5	C10	1.2	1.2	2.4	4.8	-	0.040	2.0	2.0
150:5	C20	0.6	0.6	1.2	2.4	4.8	0.057	2.0	2.0
200:5	C20	0.6	0.6	1.2	2.4	2.4	0.067	2.0	2.0
250:5	C50	0.3	0.3	0.6	1.2	2.4	0.125	2.0	2.0
300:5	C50	0.3	0.3	0.6	0.6	1.2	0.150	2.0	2.0
400:5	C50	0.3	0.3	0.3	0.6	0.6	0.195	2.0	2.0
500:5	C100	0.3	0.3	0.3	0.6	0.6	0.282	2.0	2.0
600:5	C100	0.3	0.3	0.3	0.3	0.6	0.338	2.0	1.5
750:5	C100	0.3	0.3	0.3	0.3	0.3	0.213	2.0	2.0
800:5	C100	0.3	0.3	0.3	0.3	0.3	0.451	2.0	1.5
1000:5	C200	0.3	0.3	0.3	0.3	0.3	0.536	2.0	1.5
1200:5	C200	0.3	0.3	0.3	0.3	0.3	1.676	1.5	1.33
1500:5	C200	0.3	0.3	0.3	0.3	0.3	0.845	1.5	1.0
1600:5	C200	0.3	0.3	0.3	0.3	0.3	0.902	1.5	1.0
2000:5	C200	0.3	0.3	0.3	0.3	0.3	1.002	1.5	1.0
2500:5	C400	0.3	0.3	0.3	0.3	0.3	1.252	1.33	1.0
3000:5	C400	0.3	0.3	0.3	0.3	0.3	1.503	1.0	0.8
3200:5	C400	0.3	0.3	0.3	0.3	0.3	1.603	1.0	0.8
3500:5	C200	0.3	0.3	0.3	0.3	0.3	1.592	1.0	0.8
4000:5	C400	0.3	0.3	0.3	0.3	0.3	1.820	1.0	0.8
5000:5	C400	0.3	0.3	0.3	0.3	0.3	2.275	1.0	0.6
6000:5	C400	0.3	0.3	0.3	0.3	0.3	2.730	0.8	0.6

**Specification**

- Frequency : 50-400 Hz.
- Insulation Level : 600 Volts. 10kV BIL. full wave
- WINDOW : 6.00"
- APROXIMATE WEIGHT : 40 lbs

**CONNECTIONS :**

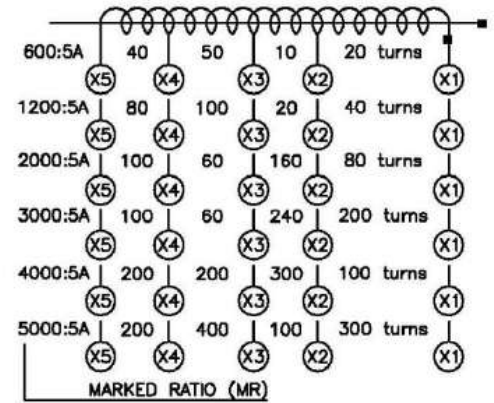
- Terminals are brass connections No. 10-32 UNF with one flat washer, lockwasher, and regular nut
- Multi-ratios available upon request
- Mounting kit (On Request)

**Application**

- Relaying & Metering

Omega 30 - 144AMR

Current Ratio	Relay class	Continuous Thermal	
		@30 °C	@50 °C
600:5	C100	2.0	1.5
1200:5	C200	2.0	1.5
2000:5	C200	1.5	1.0
3000:5	C400	1.0	0.8
4000:5	C400	1.0	0.8
5000:5	C400	1.0	0.6



## Specification

- Frequency : 50-400 Hz.
- Insulation Level : 600 Volts. 10kV BIL. full wave
- WINDOW : 6.00"
- APROXIMATE WEIGHT : 40 lbs

### CONNECTIONS :

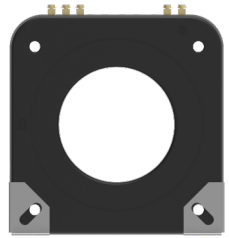
- Terminals are brass studs No. 10-32 UNF with one flat washer, lockwasher, and regular nut

## Application

- Relaying & Metering

Omega 30 - 144ASHT, 144AMR

## Product Mounting Kit

Sr No	Model Name	Item Code	Actual Product
1	144, 144MR	X40H-0A00-0001	

---

**Sifam Tinsley Instrumentation Inc.**

**Address:** 2105 Barrett Park Dr, Unit 105, Kennesaw, GA 30144

**Tel.:** 800-879-6171 | **E-mail:** [info@sifamtinsley.com](mailto:info@sifamtinsley.com) | **Web:** [www.sifamtinsley.com](http://www.sifamtinsley.com)

---