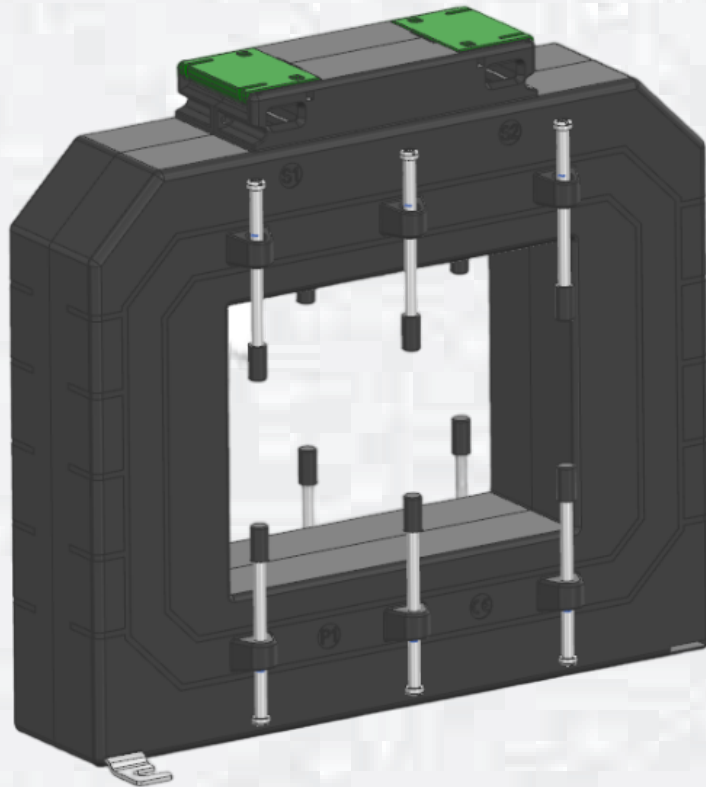




Technical Data Sheet

*Omega Xmer*  
*Current Transformer Series*



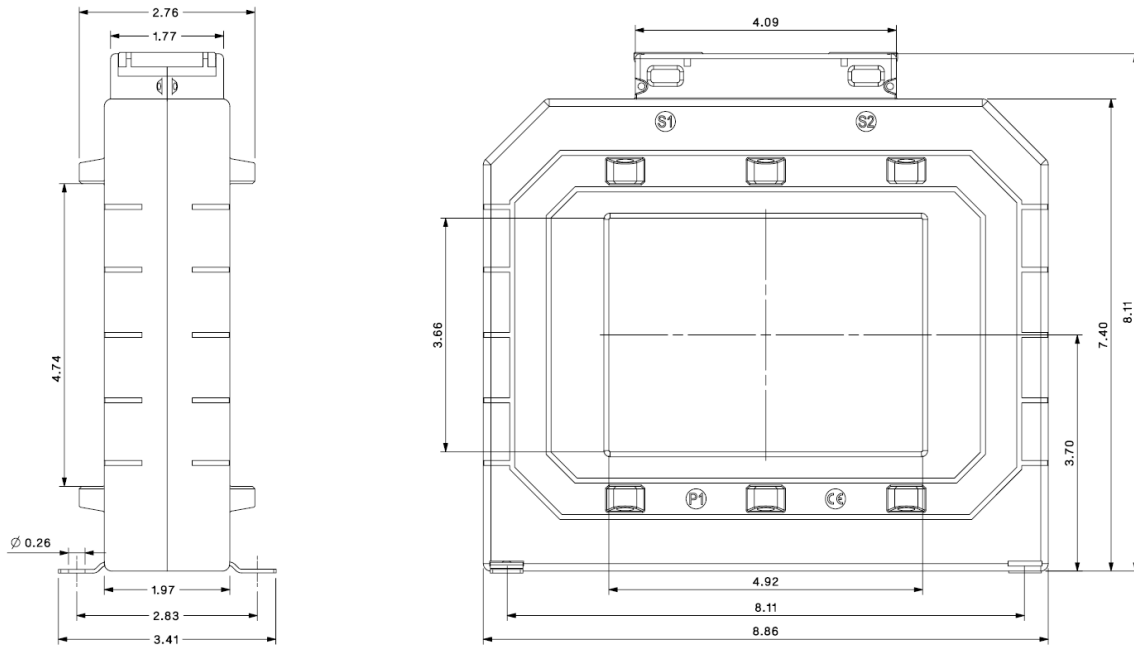
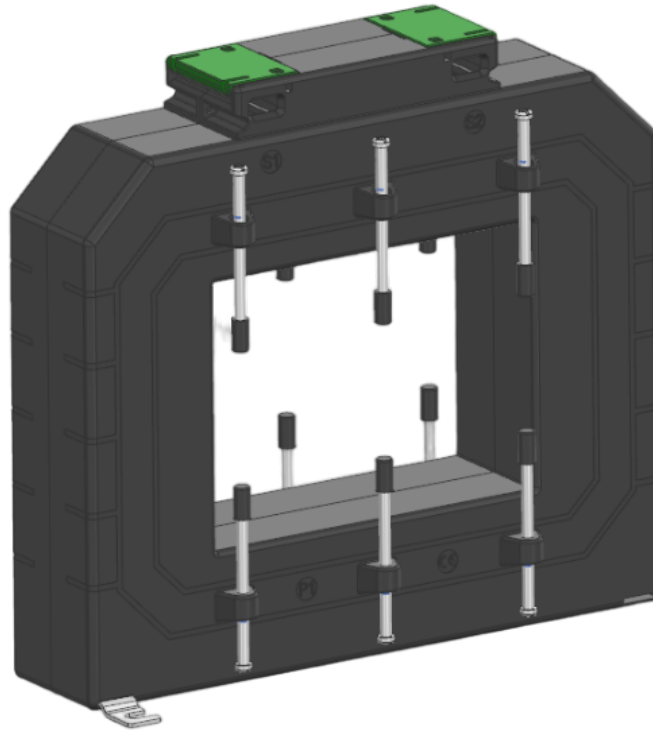
*LCTB 225/125 (50)*



E472409



LCTB 225/125 (50)



\*All the mentioned dimensions are in inches

**LCTB 225/125 (50)**

Primary Current	LCTB 225/125 (50)			
	Accuracy			
	0.2S/0.5S	0.2	0.5	1.0
600A	-	5VA	5VA	10VA
750A	-	5VA	10VA	10VA
800A	-	5VA	10VA	10VA
1000A	5VA	10VA	10VA	15VA
1200A	5VA	10VA	10VA	15VA
1250A	5VA	10VA	10VA	15VA
1500A	7.5VA	10VA	15VA	30VA
1600A	7.5VA	10VA	15VA	30VA
2000A	10VA	10VA	15VA	30VA
2500A	10VA	15VA	30VA	30VA
3000A	10VA	15VA	30VA	60VA
4000A	15VA	30VA	45VA	60VA
5000A	15VA	30VA	100VA	100VA
6000A	15VA	60VA	100VA	100VA

## Specification

- Primary current 600A to 6000A
- Secondary current 1A or 5A
- Accuracy class 0.2S, 0.5S, 0.2, 0.5 & 1.0
- Instrument security factor FS5, FS10, FS15
- Rated frequency 50Hz or 60Hz
- Rated continuous thermal current (standard) 1,2 x in
- Rated short time thermal current with 60 x in, 1 s (Max 40kA)
- Rated isolation level 0.72/4 kV
- Altitude up to 2000 m
- Degree of protection IP20 for terminal
- Degree of pollution 2
- Ambient temperature -5°C to + 55°C (0-95% relative humidity, non condensing!)
- Storage temperature -25°C to + 70°C
- Applied standards IEC 61869-1&2

## Application

- APPLICATION : With ammeters, energy management systems and instrumentation

---

**Sifam Tinsley Instrumentation Inc.**

**Address:** 2105 Barrett Park Dr, Unit 105, Kennesaw, GA 30144

**Tel.:** 800-879-6171 | **E-mail:** [info@sifamtinsley.com](mailto:info@sifamtinsley.com) | **Web:** [www.sifamtinsley.com](http://www.sifamtinsley.com)

---