



Technical Data Sheet

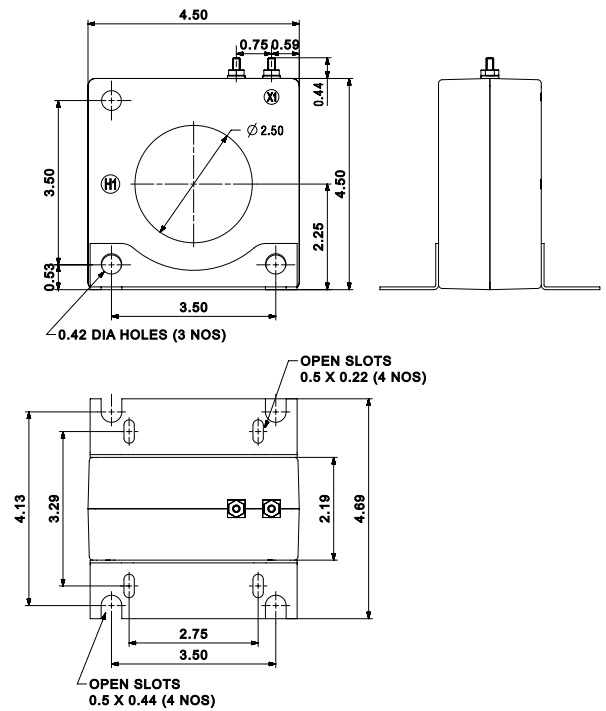
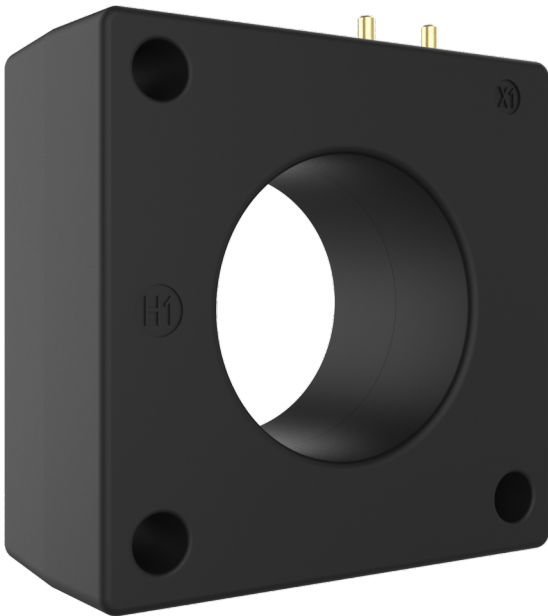
*Omega ANSI  
Current Transformer Series*



*Omega 30  
180ASHT, 180ARL*

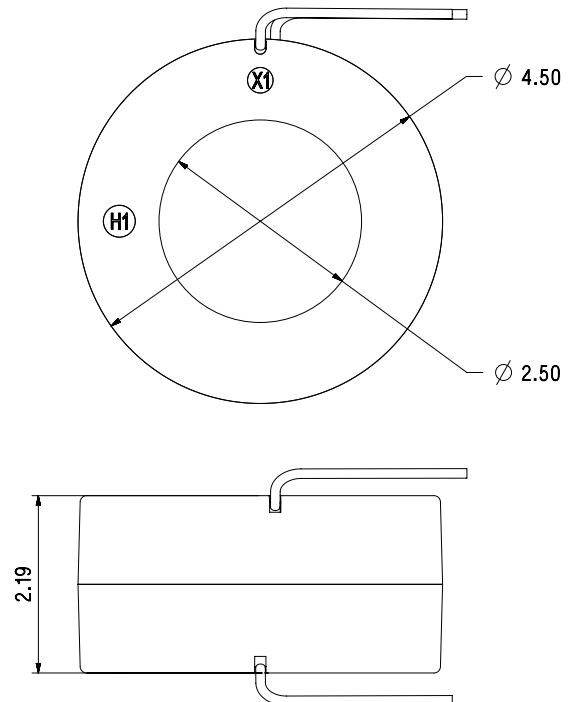


**Omega 30 - 180ASHT**



\*All the mentioned dimensions are in inches

**Omega 30 - 180ARL**



\*All the mentioned dimensions are in inches

**Omega 30 - 180ASHT, 180ARL**

Current Ratio	Relay Class	ANSI METERING CLASS @ 60HZ					SECONDARY WINDING RESISTANCE (OHMS @ 75 °C)	Cont. Thermal RF	
		B0.1	B0.2	B0.5	B0.9	B1.8		@30 °C	@55 °C
50:5	1.5	2.4	-	-	-	-	0.022	1.33	1.0
75:5	2.5	1.2	2.4	-	-	-	0.034	1.33	1.0
100:5	2.5	1.2	2.4	4.8	-	-	0.044	1.33	1.0
150:5	5	0.6	1.2	2.4	4.8	-	0.061	1.33	1.0
200:5	12.5	0.6	0.6	1.2	2.4	-	0.095	1.33	1.0
250:5	12.5	0.3	0.3	0.6	1.2	-	0.118	1.33	1.0
300:5	25	0.3	0.3	0.6	1.2	2.4	0.143	1.33	1.0
400:5	50	0.3	0.3	0.3	0.6	1.2	0.190	1.33	1.0
500:5	50	0.3	0.3	0.3	0.6	1.2	0.237	1.33	1.0
600:5	50	0.3	0.3	0.3	0.6	1.2	0.285	1.33	1.0
750:5	50	0.3	0.3	0.3	0.6	1.2	0.320	1.33	1.0
800:5	75	0.3	0.3	0.3	0.6	1.2	0.343	1.33	1.0
1000:5	100	0.3	0.3	0.3	0.3	0.6	0.430	1.33	1.0
1200:5	125	0.3	0.3	0.3	0.3	0.3	0.520	1.33	1.0
1500:5	160	0.3	0.3	0.3	0.3	0.3	0.640	1.33	1.0
1600:5	175	0.3	0.3	0.3	0.3	0.3	0.684	1.25	1.0
2000:5	200	0.3	0.3	0.3	0.3	0.3	0.855	1.0	0.75

## Specification

- Applicable Standard : ANSI/IEEE C57.13
- Frequency : 50-400 Hz.
- Insulation Level : 600 Volts. 10kV BIL. full wave
- WINDOW : 2.50"
- APROXIMATE WEIGHT : 3 lbs

**CONNECTIONS :**

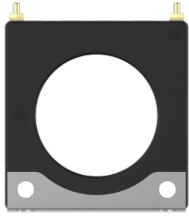
- Non-standard lead length can be specified.
- Mounting bracket
- Flexible leads are UL 1015 105° C CS Aapproved, #16 AWG, 24" long
- Terminals are brass studs No. 8-32 UNC with one flat washer, lockwasher, and regular nut

## Application

- Metering

Omega 30 - 180ASHT, 180ARL

## Product Mounting Kit

Sr No	Model Name	Item Code	Actual Product
1	180	X18H-0A00-0001	

---

**Sifam Tinsley Instrumentation Inc.**

**Address:** 2105 Barrett Park Dr, Unit 105, Kennesaw, GA 30144

**Tel.:** 800-879-6171 | **E-mail:** [info@sifamtinsley.com](mailto:info@sifamtinsley.com) | **Web:** [www.sifamtinsley.com](http://www.sifamtinsley.com)

---