



Technical Data Sheet

# *Omega ANSI Current Transformer Series*



*Omega 30  
Model 2*

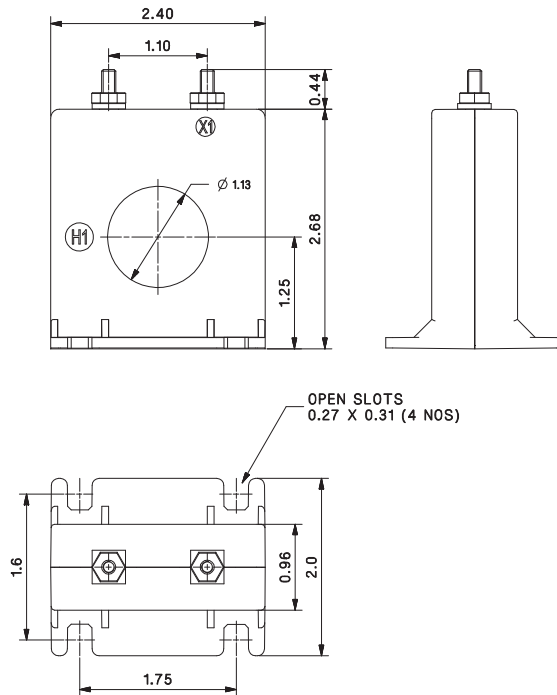


# Omega 30 Series

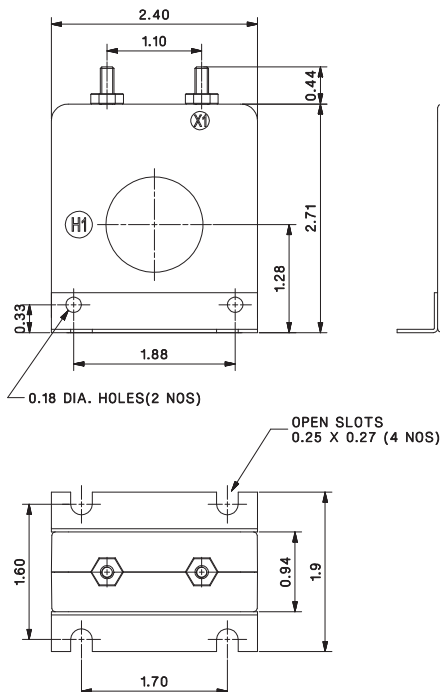
Omega 30A

## Omega 30A 2SFT, 2SHT & 2RL Series

Omega 30A 2SFT



Omega 30A 2SHT



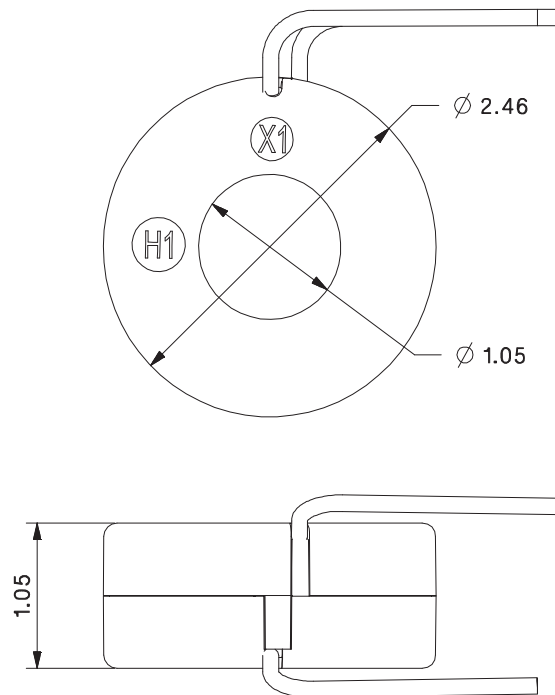
ALL DIMENSIONS ARE IN INCHES

# Omega 30 Series

Omega 30A

## Omega 30A 2SFT, 2SHT & 2RL Series

Omega 30A 2RL



### 2SFT, 2SHT & 2RL

Current Ratio	Class	VA
50	± 3%	1.5
60	± 3%	2.0
75	± 2%	2.0
80	± 2%	2.0
100	± 1%	2.0
120	± 1%	2.5
125	± 1%	2.5
150	± 1%	4.0
200	± 1%	4.0
250	± 1%	6.0
300	± 1%	8.0

Used for ammeter only  
Approx. weight 0.5lbs

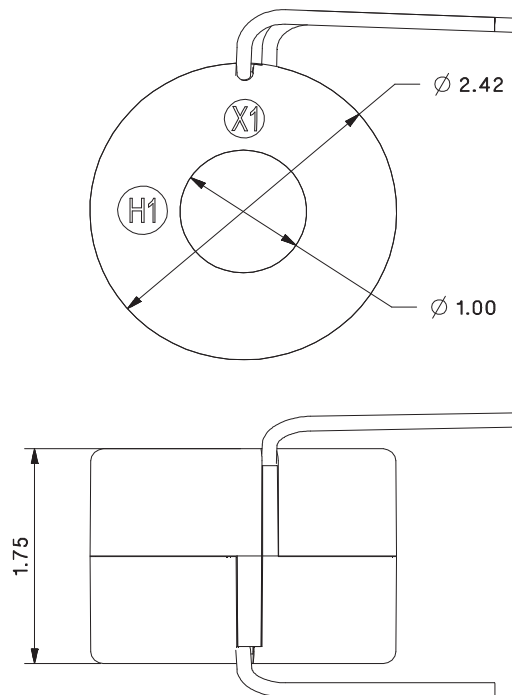
ALL DIMENSIONS ARE IN INCHES

# Omega 30 Series

Omega 30A

## Omega 30A 2DRL

Omega 30A 2DRL



### 2DRL

Current Ratio	Class	VA
50	± 2%	1.5
60	± 2%	2.0
75	± 2%	3.0
80	± 2%	4.0
100	± 1%	5.0
120	± 1%	5.0
125	± 1%	5.0
150	± 1%	8.0
200	± 1%	10
250	± 1%	12.5
300	± 1%	15

Used for ammeter only  
Approx. weight 0.5lbs

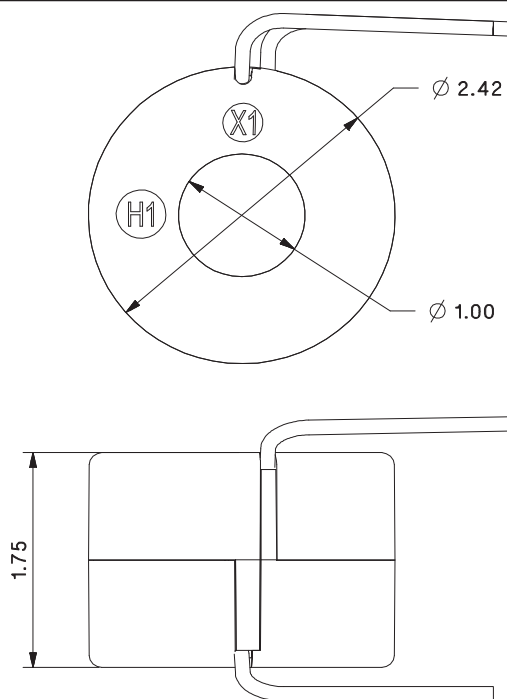
ALL DIMENSIONS ARE IN INCHES

# Omega 30 Series

Omega 30A

## Omega 30A 2DARL

Omega 30A 2ADRL



## 2DARL

Current Ratio	VA @ ±1% Class	ANSI METERING CLASS		
		B0.1	B0.2	B0.5
50	2% 2.5	4.8	-	-
60	2.5	1.2	-	-
75	3.5	1.2	2.4	-
80	4.0	1.2	2.4	-
100	5.0	1.2	2.4	-
120	5.0	1.2	2.4	-
125	5.0	0.6	1.2	-
150	10	0.6	0.6	-
200	12.5	0.3	0.6	1.2
250	15	0.3	0.3	0.6
300	20	0.3	0.3	0.6

Used for ammeter, Wattmeters & cross current compensation  
Approx. weight 0.5lbs

ALL DIMENSIONS ARE IN INCHES

# Omega ANSI Current Transformer Series

Omega 30

## Specifications

- Applicable Standard : ANSI/IEEE C57.13
- Case : 10% glass filled polycarbonate, flame retardant grades classified UL 94V-0.
- Frequency : 50-400 Hz.
- Insulation Level : 10KV BIL full wave.
- Flexible leads are UL 1015, 105°C 16AWG.
- Non-standard length to be specified.
- For all the SHT & SFT types terminals are brass studs No. 8-32 with one flat washer, lock washer & regular nut
- All the SHT & SFT models also available as SHL & SFL with leads
- For all the SHT types- mounting bracket kit can be provided when required

## Application

- Use for measurement purposes in conjunction with ammeters, wattmeters, etc.
- Also applicable for cross current compensation.

---

### Sifam Tinsley Instrumentation Inc.

**Address:** 2105 Barrett Park Dr, Unit 105, Kennesaw, GA 30144  
**Tel.:** 800-879-6171 | **E-mail:** info@sifamtinsley.com | **Web:** www.sifamtinsley.com

---