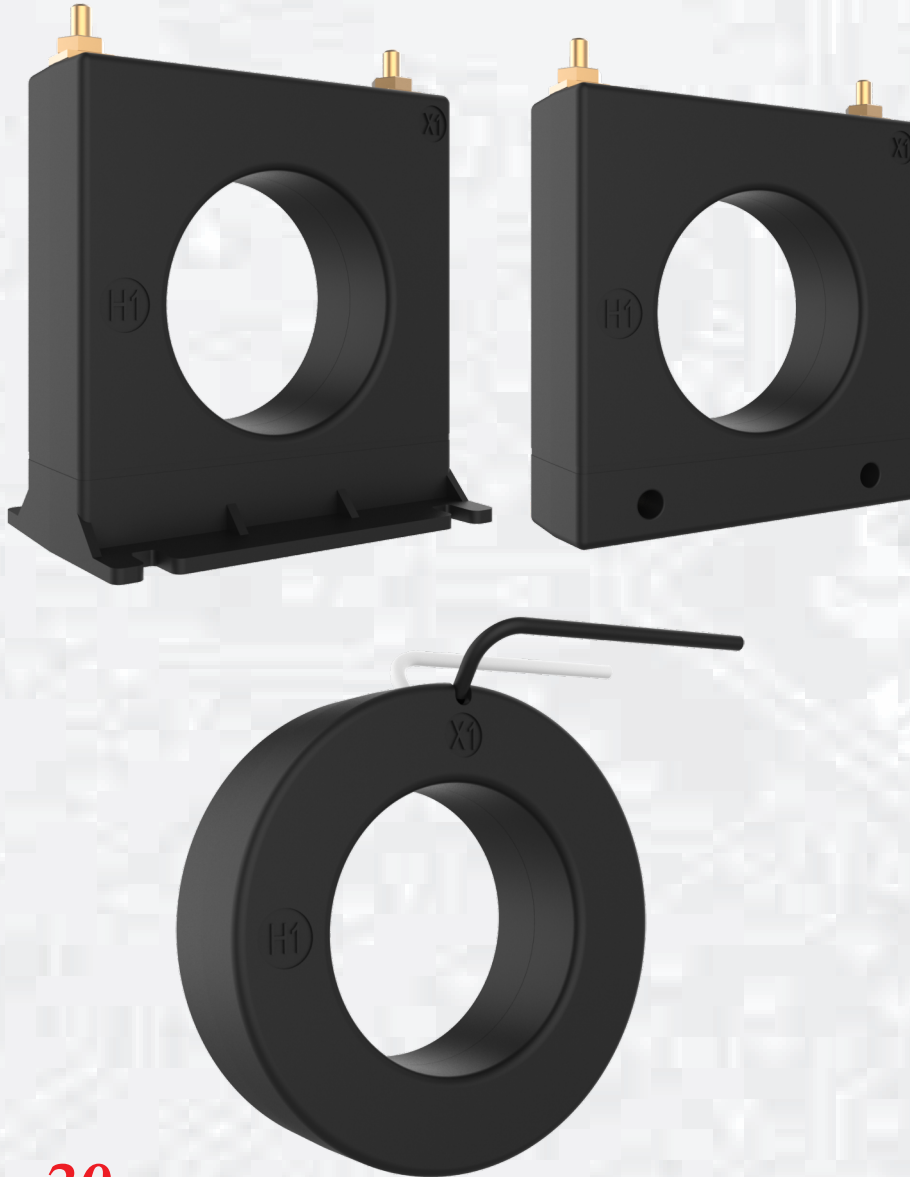




Technical Data Sheet

Omega ANSI Current Transformer Series



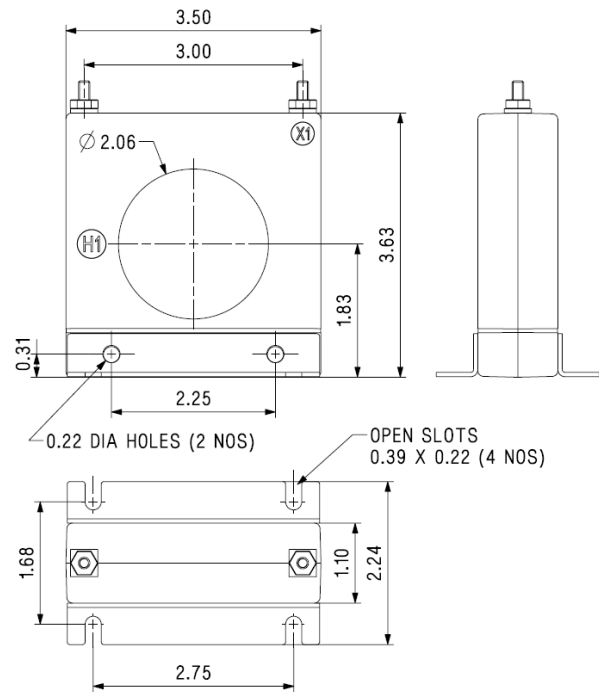
*Omega 30
56SHT, 56SFT, 56RL*



E472409

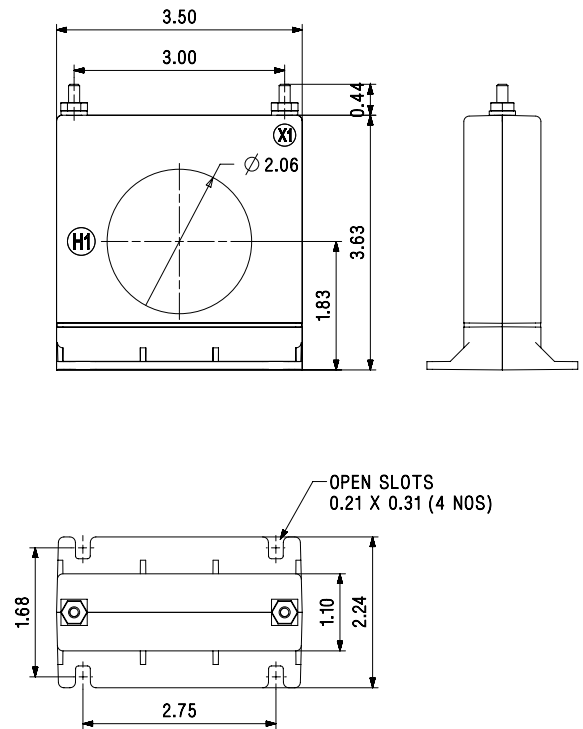
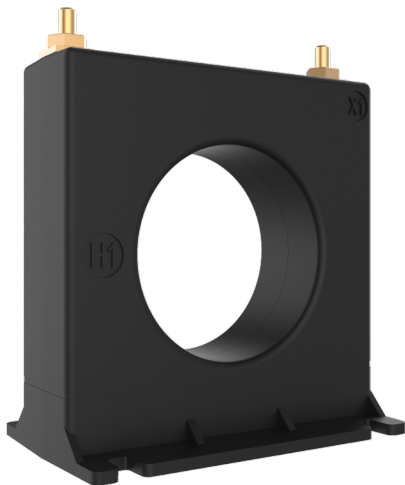


Omega 30 - 56SHT



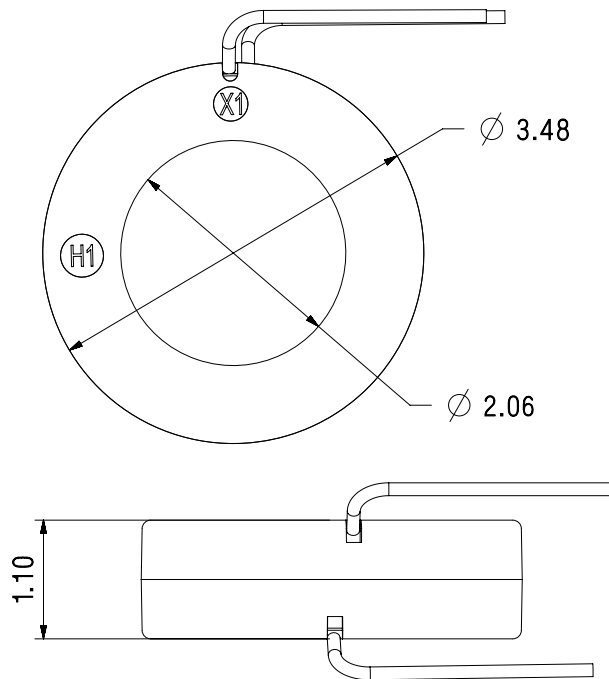
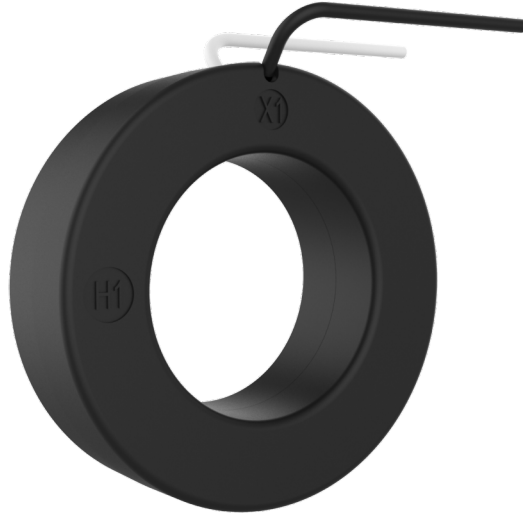
*All the mentioned dimensions are in inches

Omega 30 - 56SFT



*All the mentioned dimensions are in inches

Omega 30 - 56RL



*All the mentioned dimensions are in inches

Omega 30 - 56SHT, 56SFT, 56RL

Current Ratio	Accuracy @ 60 HZ	Burden VA @ 60 HZ
50:5	± 3%	0.5
75:5	± 1%	0.5
100:5	± 1%	1
150:5	± 1%	2.5
200:5	± 1%	4
250:5	± 1%	6
300:5	± 1%	7.5
400:5	± 1%	10
500:5	± 1%	12.5
600:5	± 1%	15
750:5	± 1%	7
800:5	± 1%	8
1000:5	± 1%	10
1200:5	± 1%	12.5

Specification

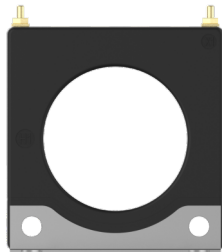
- FREQUENCY : 50 -400 Hz
- INSULATION LEVEL : 600 Volts. 10kV BIL. full wave
- WINDOW : 2.06"
- APROXIMATE WEIGHT : 0.6 lbs
- CONNECTIONS :
- Flexible Leads are UL 1015 105°C, CSA approved #16AWG, 24" long
- - Non-standard length to be specified
- - Terminals are brass studs No. 8-32 UNC with one flat washer, lock washer, and regular nut
- - RBT and RT case styles also available and SHT and SFT as SHL and SFL with leads
- - Mounting kit for 56 SHT (On Request)

Application

- APPLICATION : With ammeters, wattmeters and cross compensation

Omega 30 - 56SHT, 56SFT, 56RL

Product Mounting Kit

Sr No	Model Name	Item Code	Actual Product
1	56SHT	XA5H-0A00-0001	

Sifam Tinsley Instrumentation Inc.

Address: 2105 Barrett Park Dr, Unit 105, Kennesaw, GA 30144

Tel.: 800-879-6171 | **E-mail:** info@sifamtinsley.com | **Web:** www.sifamtinsley.com
