



Technical Data Sheet

*Omega ANSI
Current Transformer Series*



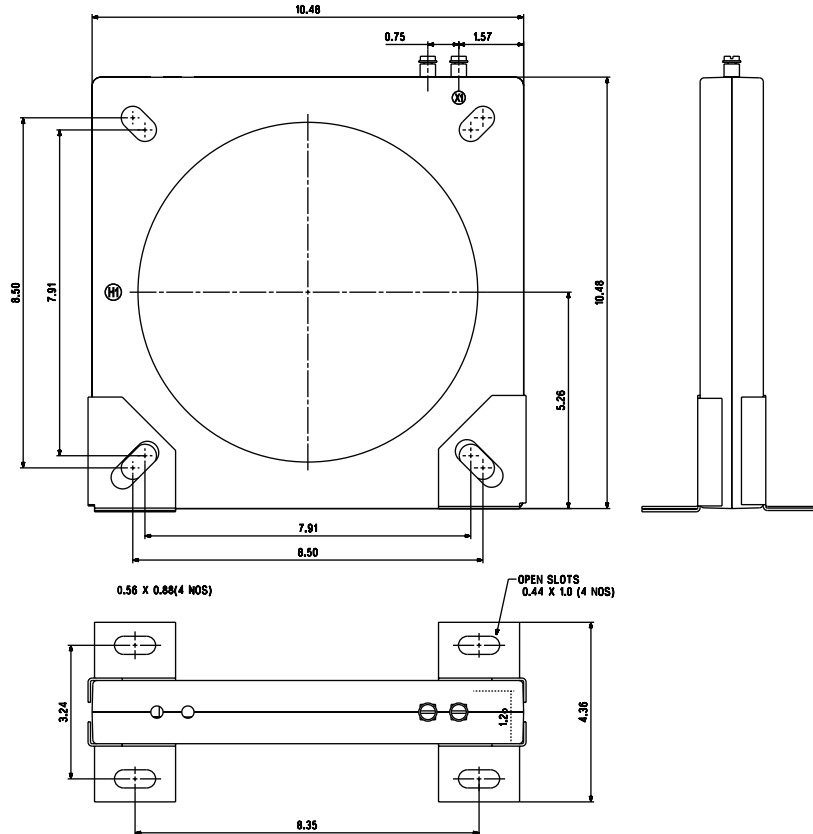
*Omega 30
126ASHT*



Omega 30 - 126ASHT



*All the mentioned dimensions are in inches



Omega 30 - 126ASHT

CURRENT RATIO (A)	VA for +/- 1% Class	ANSI METERING CLASS AT 60 HZ					CONTINUOUS THERMAL RATING FACTOR		Sec. resistance (Ohm) @ 75 °C
		B0.1	B0.2	B0.5	B0.9	B1.8	@ 30°C	@ 55°C	
400:5	4	0.6	1.2	2.4	4.8	4.8	2	2	0.116
500:5	7.5	0.6	0.6	1.2	2.4	2.4	2	2	0.145
600:5	10	0.6	0.6	1.2	1.2	2.4	2	2	0.173
750:5	15	0.3	0.6	0.6	1.2	1.2	2	1.5	0.217
800:5	20	0.3	0.3	0.6	0.6	1.2	2	1.5	0.231
1000:5	25	0.3	0.3	0.6	0.6	1.2	2	1.5	0.289
1200:5	40	0.3	0.3	0.6	0.6	0.6	1.5	1.33	0.347
1500:5	50	0.3	0.3	0.3	0.3	0.6	1.5	1	0.434
1600:5	50	0.3	0.3	0.3	0.3	0.6	1.5	1	0.462
2000:5	60	0.3	0.3	0.3	0.3	0.3	1.33	1	0.578
2500:5	75	0.3	0.3	0.3	0.3	0.3	1	0.8	0.904
3000:5	90	0.3	0.3	0.3	0.3	0.3	1.33	1	0.722
3200:5	95	0.3	0.3	0.3	0.3	0.3	1.33	1	0.77
3500:5	100	0.3	0.3	0.3	0.3	0.3	1	0.8	0.842
4000:5	125	0.3	0.3	0.3	0.3	0.3	1	0.8	0.962
5000:5	140	0.3	0.3	0.3	0.3	0.3	1	0.8	1.203

Specification


- Frequency : 50-400 Hz.
- Insulation Level : 600 Volts. 10kV BIL. full wave
- WINDOW : 8.25"
- APROXIMATE WEIGHT : 5.5 lbs
- CONNECTIONS :
 - Terminals are brass studs No. 8-32 UNC with one flat washer, lockwasher, and regular nut
 - Mounting kit (On Request)

Application

- Relaying & Metering

Omega 30 - 126ASHT

Product Mounting Kit

Sr No	Model Name	Item Code	Actual Product
1	126 ASHT	X26H-0A00-0001	

Sifam Tinsley Instrumentation Inc.

Address: 2105 Barrett Park Dr, Unit 105, Kennesaw, GA 30144

Tel.: 800-879-6171 | **E-mail:** info@sifamtinsley.com | **Web:** www.sifamtinsley.com
