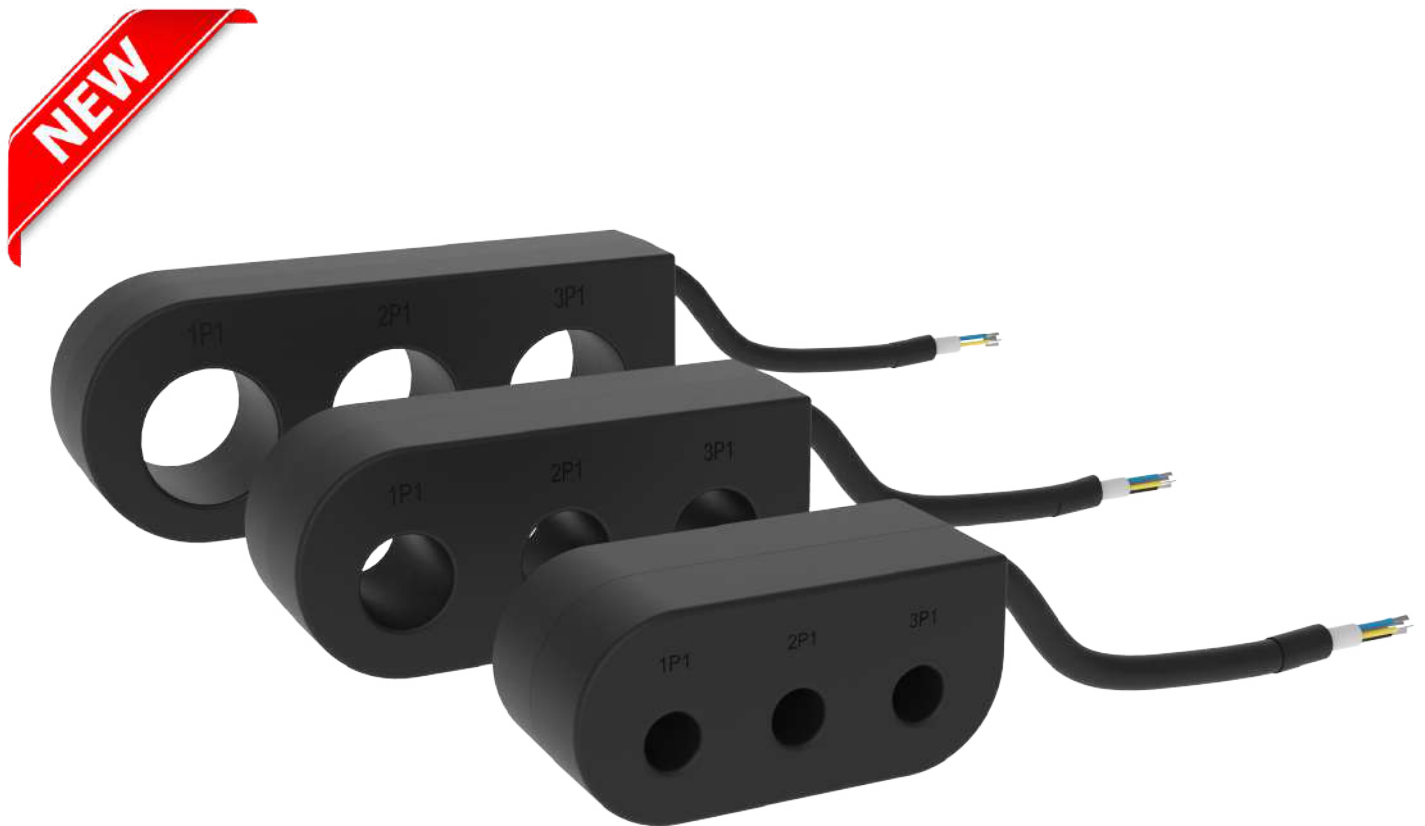


Omega Nano 3 phase CT



- Compact 3 phase CT
- UL grade polymer
- IP 20 at secondary terminal
- Accuracy class of 0.5
- Compact dimensions and simple connection technology
- Easy Installation

Omega Nano for the measurement of AC current

Omega Nano CT is a very reliable, efficient and robust current transformer for measurement of AC current. It provides 100 mA AC output. It can be used in

- Circuit breakers.
- Earth Leakage Protection.

Features

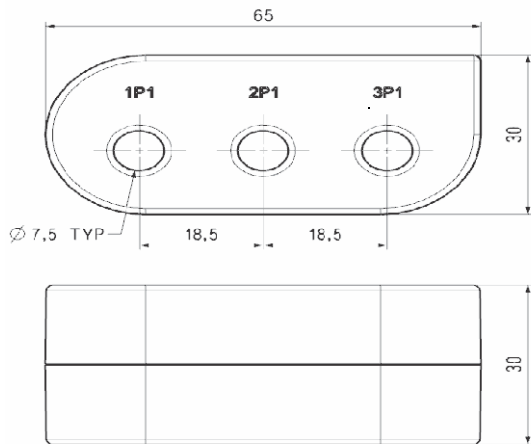
- 1) Measurement of AC current for frequency 50/60Hz .
- 2) High electric isolation between primary conductor and output.
- 3) Easy and safe electrical connection.
- 4) Primary rated current 63A,125A and 250A AC.
- 5) High system voltage
- 6) 1500mm long Secondary Cable for 63 A, 125 A & 250 A product.

Technical data:

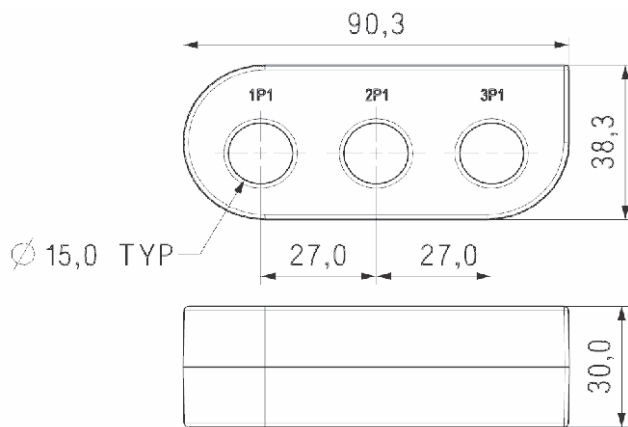
Rated Primary current	63A,125A and 250 AAC
Frequency range	50/60 Hz
Rated secondary current	100mAAC
Burden	0.1 VA
Accuracy Class	0.5
Max. operating voltage U_m	0.72 kV, U
Applicable Standard:	IEC 61869-1 & IEC 61869-2
Thermal short circuit current	60 lth
Dynamic Current	2.5 lth
Insulation Class / Ingress Protection	E / IP 20
Thermal Class	B
Operating temperature:	$-25^{\circ} C < T_U < +60^{\circ} C$, 0....95% rH, without condensation
Storage temperature:	$-40^{\circ} C < T_L < +90^{\circ} C$

Data sheet

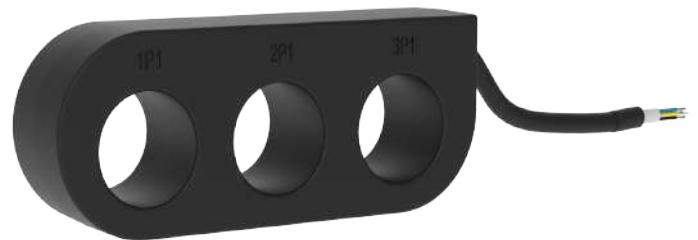
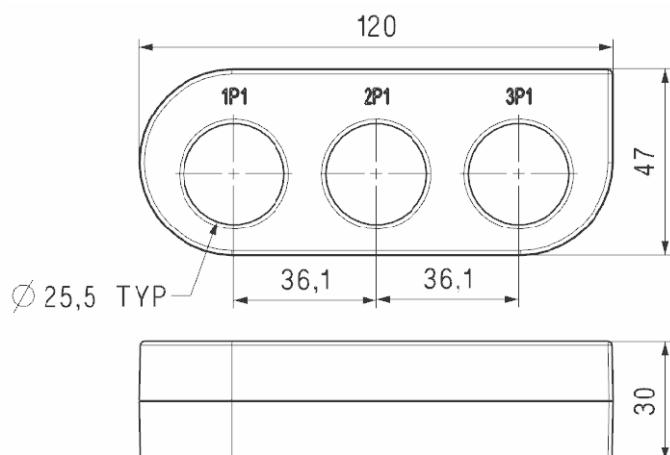
Omega Nano 3 Phase CT Models:



X308: 63A



X306: 125A



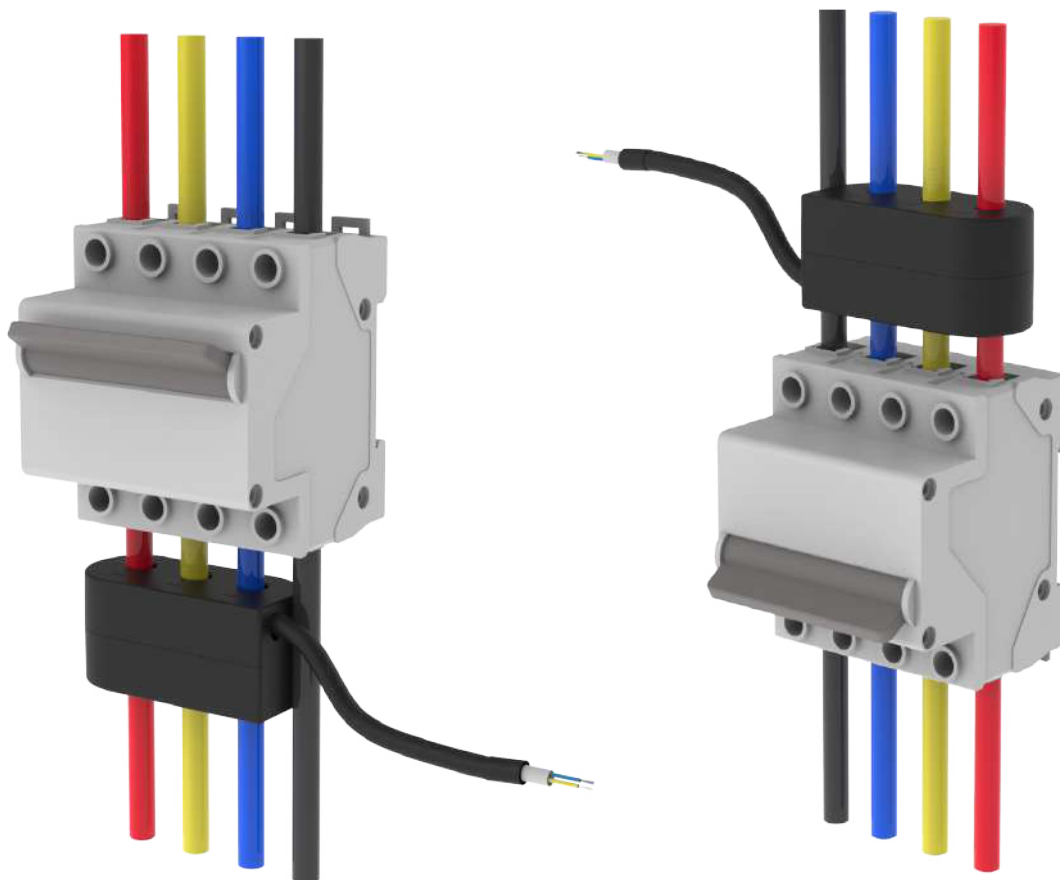
X307: 250A

All dimensions in mm.

Mounting / Installation of Omega 3 Phase Nano CT

Installation in confined spaces, utilizing the space above the circuit breakers and earth leakage protection

In installations that allow the power supply to be shut down for the installation of transformers



Data sheet

Ordering information:

X30X		xxx	xx	x	x	x	x	xx	xx
X306 X307 X308									
Primary current									
63 A		063							
125 A		125							
250 A		250							
Secondary									
100 mAAC			10						
Burden									
0.1 VA				1					
Accuracy Class									
0.5					1				
Colour									
Black						B			
Gray						G			
Company code									
ST							S		
Other							L		
Customer specific								00	
Reserved									00

Sr. No.	Ordering code	Description
1	X308-0631011BS0000	CTB 3PH 65/8 63/100mA,0.1/0.5
2	X306-1251011BS0000	CTB 3PH 90/15 125/100mA,0.1/0.5
3	X307-2501011BS0000	CTB 3PH 116/26 250/100mA,0.1/0.5

Sifam Tinsley Instrumentation Inc.

Address: 3105, Creekside Village Dr, Unit 801, Kennesaw, GA 30144 USA
Tel.: +1 800-879-6171 | **E-mail:** info@sifamtinsley.com
Web: www.sifamtinsley.com

Address: 1 Warner Drive, Springwood Industrial Estate Braintree,
 Essex, England CM7 2YW, UK
Tel.: +1 800-879-6171 | **E-mail:** sales@sifamtinsley.com
Web: www.sifamtinsley.co.uk