

1. General :

This Switch complies with international standard IEC 60947-1, IEC 60947-3 & IEC 60947-5.

This product must be used after mounting in panel with hardware supplied, with wires permanently connected to terminals as specified.

2. Meaning of symbols :

CE - European Conformity Mark

⎓ - Switch/Disconnecter Symbol

3. Specification :

Refer technical data chart.

4. Equipment Installation:

* Due consideration should be given to space behind the cam switch to allow for bends in connecting cables.

* The products do not have internal protection against overload & short circuit, hence external safety protection should be provided. It is recommended to install protective device near a equipment.

* Select mounting location which is protected from water on front and backside of switch.

* Ensure that wires do not remain under tension.

5. Operation & Maintenance:

* Equipment must be installed & maintained by suitably qualified person.

* If equipment is used in a manner not specified by manufacturer, the protection provided by the equipment may be impaired.

* Disconnect supply before installation of Switch and during maintenance.

* Ensure that cables are properly tightened with self-lifting screw.

6. Testing :

* Cables should be connected at specified position as shown in connection diagram.

* It is recommended to test the switch before installation as per connection diagram using multimeter.

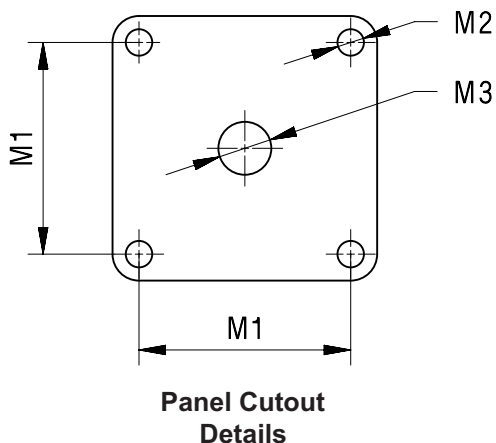
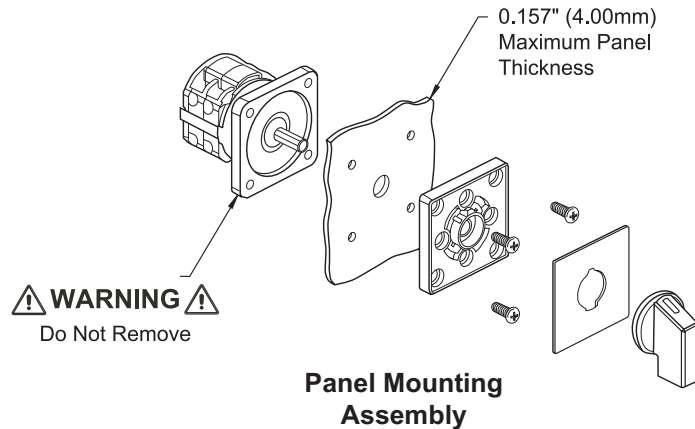
7. Servicing of Cam Switches :

* Cam switch need not required to be serviced if proper fuse protection and dust protection are provided. However if contact failure occurs due to accumulation of dust near contact area, dust can be cleaned by blowing air.

* If contact area slightly welded due to insufficient fuse protection, weld can be opened by forcibly operating the knob to a limited extent.

⚠ NOTICE ⚠

This product has been designed for environment A. Use of this product in environment B may cause unwanted electromagnetic disturbances in which case the user may be required to take adequate mitigation measures.



Type	M1	M2	M3
Epsilon 25A	48	4	12
Epsilon 32A	48	4	12

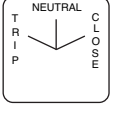





Technical Data

Conformance to standards : European : IEC 60947-1 IEC 60947-3 IEC 60947-5 Indian : IS 13947-1/3/5		Operating Conditions : Frequency : 50/60 Hz Operating Temp. :-25 °C to 60 °C Over voltage category : III Storage : -40°C to 80°C Max. Altitude : 2000 m IP: 50 Front		Switch Life : Mechanical Life : 1 Lac operations @ 300 Cycles/hr Electrical Life : 10,000 operations @ 100% Rated duty at 120 cycles/hr Contacts : Double break type AgNi Double break type AgCdO	
Parameter		Unit	25A	32A	
Rated operational voltage (Ue)		V	690	690	
Rated Insulation voltage (Ui)		V	690	690	
Rated operational current (Ie)		A	25	32	
rated uninterupted current (Ith)		A	32	40	
Rated Impulse withstand voltage (Uimp)		KV	6	6	
Rated short time withstand current (Icw)		(1s- Current) A	300	384	
Rated Fuse short circuit current		KA	10	10	
Fuse size (Type gG /gM)		A	25	32	
AC23A 3phase		220-240V	KW	4.7	5.5
		380-440V	KW	7.5	11
		500V	KW	11	15
		660-690V	KW	11	15
AC23A 1phase		110V	KW	1.5	2.2
		220-240V	KW	3	3.7
		380-440V	KW	5.5	7.5
AC3 3phase		220-240V	KW	4.7	5.5
		380-440V	KW	7.5	11
		500V	KW	11	15
		600-690V	KW	11	15
AC3 1phase		110V	KW	1.5	2.2
		220-240V	KW	3	3.7
		380-440V	KW	5.5	7.5
AC21A/AC1			A	25	32
AC15		220-240V	A	8	14
		380-440V	A	5	6
Terminal cross -section					
Single / Multiple		Min	mm ²	2.5	2.5
		Max	mm ²	4	6
Fine strand with sleeve		Min	mm ²	1.5	1.5
		Max	mm ²	4	4
Terminal screw			Metric	M4	M4
Terminal tightening torque			Nm	1.2	1.2

* Rated short time withstand current (0.5s- current)

Instruction Manual

EPSILON TNC SERIES

SR. NO.	DESCRIPTION CONNECTION DIAGRAM/TERMINAL MARKING	NO. OF STAGES				
1	Trip Neutral Close (TNC) Switch	1-2				
	OUTPUT SIDE		1A	1B	1C	1D
	 					
	INPUT SIDE		LA	LB	LC	LD
	POLES		1		2	
	NEUTRAL					
	TRIP		X		X	
	CLOSE			X		X
Offered up to 2 poles						

Sifam Tinsley Instrumentation Inc.
 3105 Creekside Village Drive, Suite No. 801, Kennesaw, GA 30144 (USA)
 Contact No. : +1 404 736 4903
 E-mail Id : psk@sifamtinsley.com
 Web : www.sifamtinsley.com