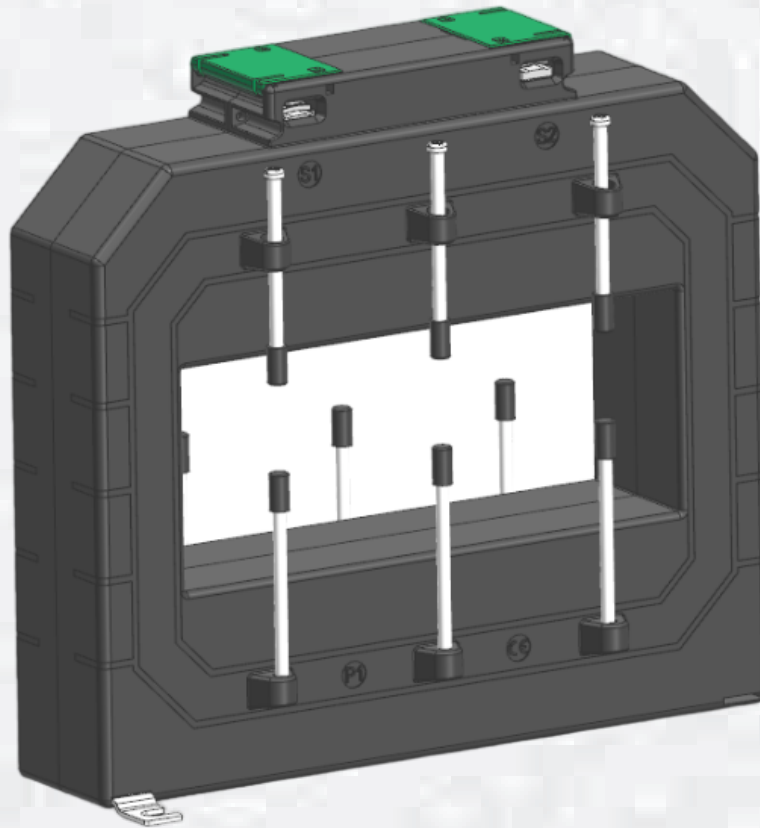




Technical Data Sheet

Omega Xmer
Current Transformer Series



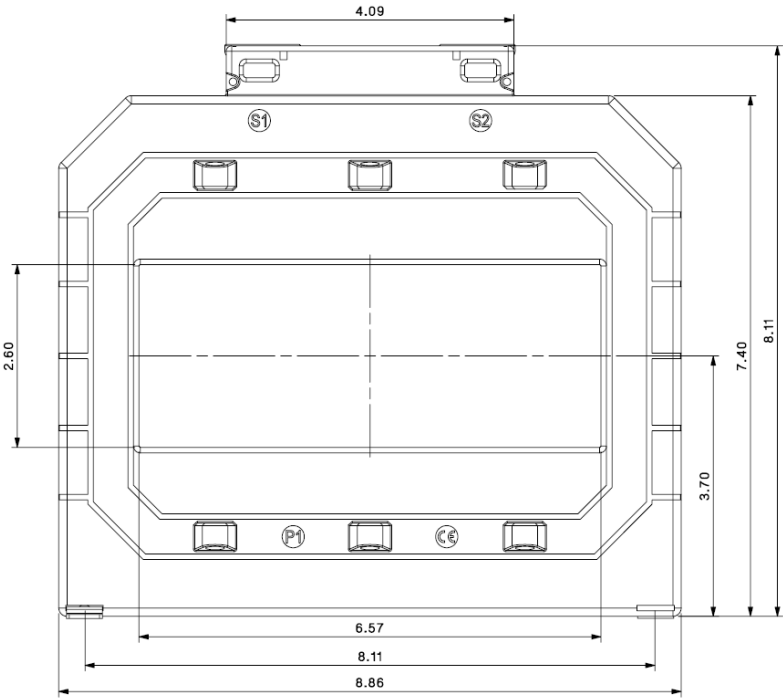
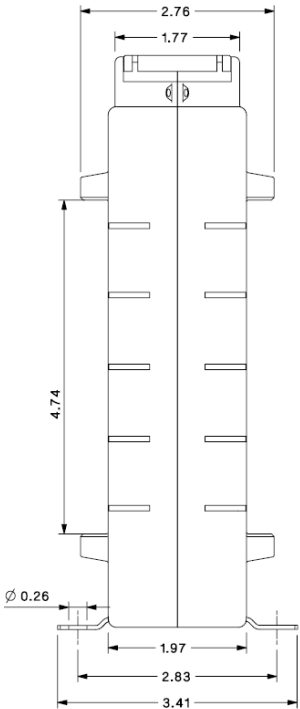
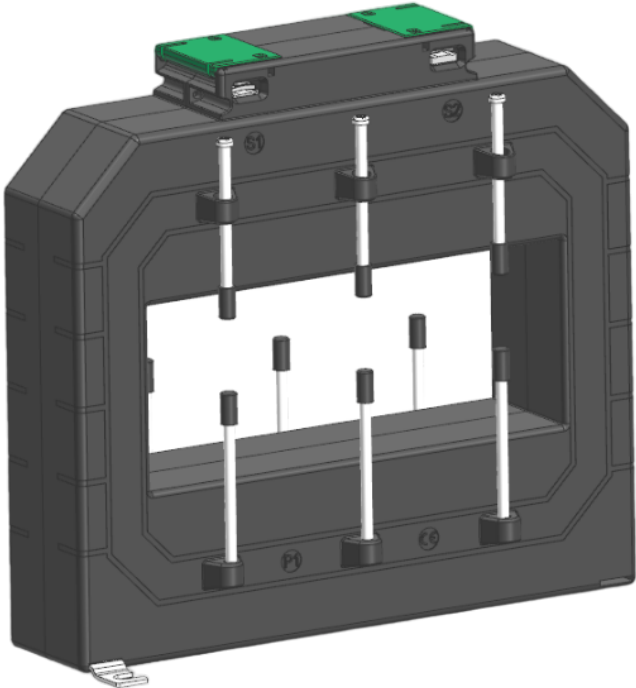
LCTB 225/167 (50)



E472409



LCTB 225/167 (50)



*All the mentioned dimensions are in inches

LCTB 225/167 (50)

Primary Current	LCTB 225/167			
	Accuracy			
	0.2S/0.5S	0.2	0.5	1.0
1000A	-	3.75VA	5VA	10VA
1200A	-	5VA	10VA	15VA
1250A	-	5VA	10VA	15VA
1500A	5VA	10VA	15VA	30VA
1600A	5VA	10VA	15VA	30VA
2000A	7.5VA	10VA	30VA	30VA
2500A	10VA	15VA	30VA	45VA
3000A	10VA	15VA	30VA	45VA
4000A	10VA	15VA	30VA	45VA
5000A	15VA	20VA	30VA	45VA
6000A	15VA	20VA	30VA	45VA
7500A	15VA	20VA	30VA	45VA

Specification

- Primary current 1000A to 7500A
- Secondary current 1A or 5A
- Accuracy class 0.2S, 0.5S, 0.2, 0.5 & 1.0
- Instrument security factor FS5, FS10, FS15
- Rated frequency 50Hz or 60Hz
- Rated continuous thermal current (standard) 1,2 x in
- Rated short time thermal current with 60 x in, 1 s (Max 40kA)
- Rated isolation level 0.72/4 kV
- Altitude up to 2000 m
- Degree of protection IP20 for terminal
- Degree of pollution 2
- Ambient temperature -5°C to + 55°C (0-95% relative humidity, non condensing!)
- Storage temperature -25°C to + 70°C
- Applied standards IEC 61869-1&2

Application

- APPLICATION : With ammeters, energy management systems and instrumentation

Sifam Tinsley Instrumentation Inc.

Address: 2105 Barrett Park Dr, Unit 105, Kennesaw, GA 30144

Tel.: 800-879-6171 | **E-mail:** info@sifamtinsley.com | **Web:** www.sifamtinsley.com
