



Technical Data Sheet

*Omega ANSI Current Transformer Series*



*Omega 30  
Model 8*

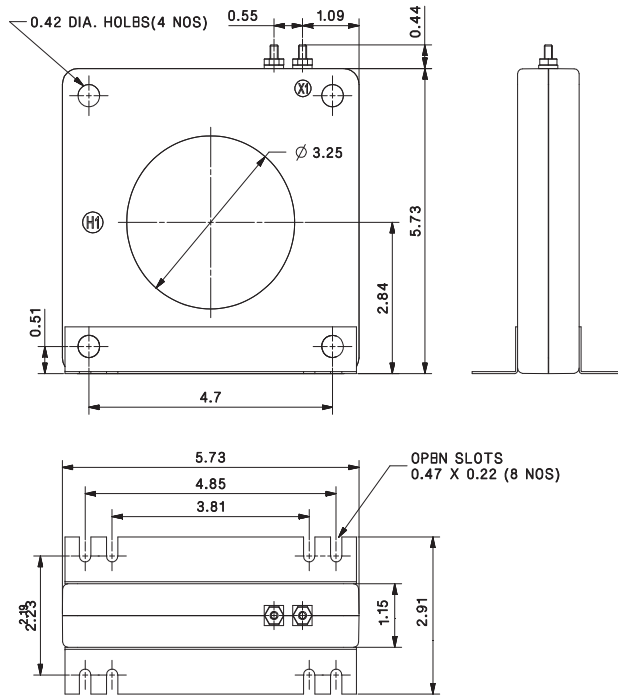
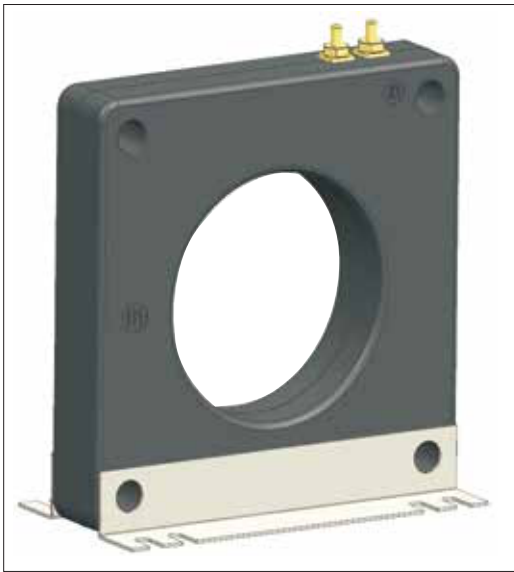


# Omega 30 Series

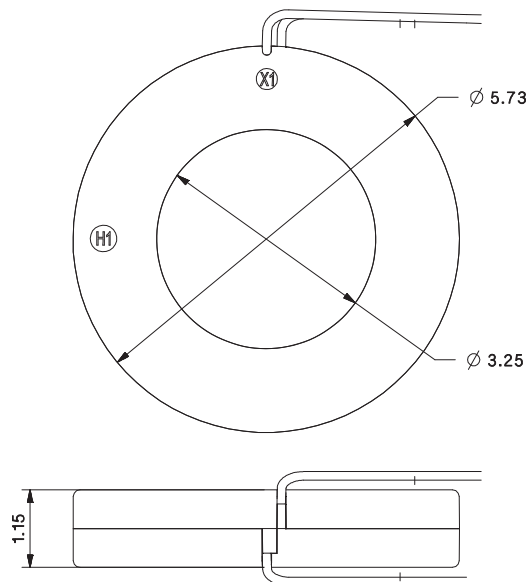
Omega 30E

## Omega 30E 8ASHT, 8ARL Series

Omega 30E 8ASHT



Omega 30E 8ARL



ALL DIMENSIONS ARE IN INCHES

# Omega 30 Series

Omega 30E

## Omega 30E 8ASHT & 8ARL Series

### 8ASHT & 8ARL

Current Ratio	VA @ ±1% Class	ANSI METERING CLASS					Cont. Thermak RF	
		B0.1	B0.2	B0.5	B0.9	B1.8	@30	@55
200	5.0	1.2	1.2	2.4	4.8	4.8	2.0	2.0
250	7.5	0.6	0.6	1.2	2.4	4.8	2.0	2.0
300	15	0.6	0.6	1.2	2.4	2.4	2.0	2.0
400	25	0.3	0.3	0.6	1.2	2.4	2.0	1.5
500	35	0.3	0.3	0.6	0.6	1.2	2.0	1.5
600	50	0.3	0.3	0.6	0.6	1.2	1.5	1.33
750	50	0.3	0.3	0.6	0.6	1.2	1.5	1.0
800	60	0.3	0.3	0.3	0.6	0.6	1.5	1.0
1000	75	0.3	0.3	0.3	0.6	0.6	1.33	1.0
1200	75	0.3	0.3	0.3	0.3	0.6	1.5	1.0
1500	90	0.3	0.3	0.3	0.3	0.6	1.33	1.0
1600	100	0.3	0.3	0.3	0.3	0.6	1.33	0.8
2000	120	0.3	0.3	0.3	0.3	-	1.0	0.8
2500	50	0.3	0.3	0.3	0.3	-	1.0	0.8
3000	60	0.3	0.3	0.3	0.3	-	1.0	0.8
3200	70	0.3	0.3	0.3	0.3	-	1.0	0.8
4000	80	0.3	0.3	0.3	0.3	-	0.8	0.8

Used for Metering  
Approx. weight 2.5 lbs

# Omega ANSI Current Transformer Series

Omega 30

## Specifications

- Applicable Standard : ANSI/IEEE C57.13
- Case : 10% glass filled polycarbonate, flame retardant grades classified UL 94V-0.
- Frequency : 50-400 Hz.
- Insulation Level : 10KV BIL full wave.
- Flexible leads are UL 1015, 105°C 16AWG.
- Non-standard length to be specified.
- For all the SHT & SFT types terminals are brass studs No. 8-32 with one flat washer, lock washer & regular nut
- All the SHT & SFT models also available as SHL & SFL with leads
- For all the SHT types- mounting bracket kit can be provided when required

## Application

- Use for measurement purposes in conjunction with ammeters, wattmeters, etc.
- Also applicable for cross current compensation.

---

### Sifam Tinsley Instrumentation Inc.

**Address:** 2105 Barrett Park Dr, Unit 105, Kennesaw, GA 30144  
**Tel.:** 800-879-6171 | **E-mail:** info@sifamtinsley.com | **Web:** www.sifamtinsley.com

---