



Technical Data Sheet

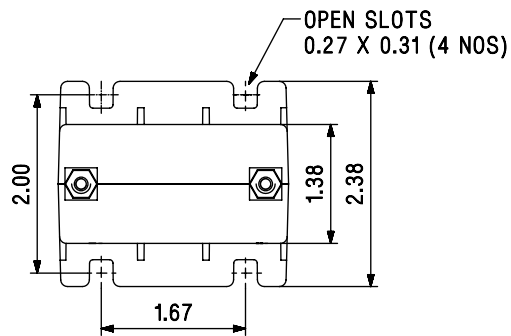
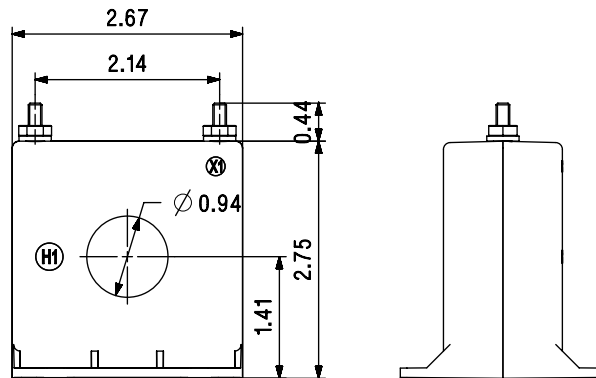
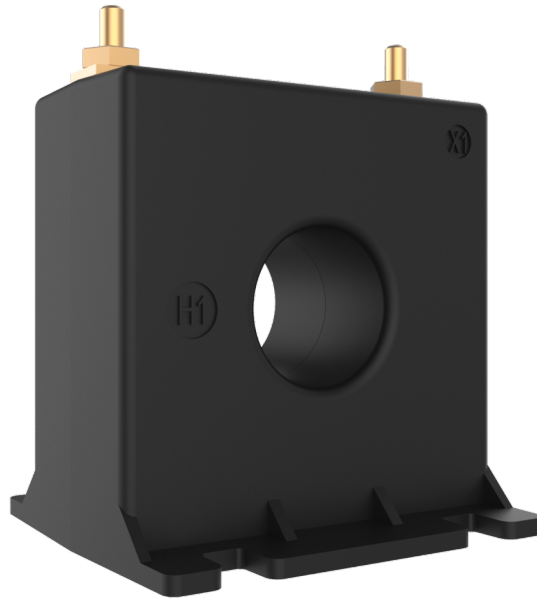
*Omega ANSI  
Current Transformer Series*



*Omega 30  
15SFT*



Omega 30 - 15SFT



\*All the mentioned dimensions are in inches

**Omega 30 - 15SFT**

<b>Current Ratio</b>	<b>Accuracy @ 60 HZ</b>	<b>Burden VA @ 60 HZ</b>
50:5	± 1.5%	2
60:5	± 1.5%	2
75:5	± 1.5%	2.5
80:5	± 1%	2
100:5	± 1%	2
120:5	± 1%	3
125:5	± 1%	4
150:5	± 1%	5
175:5	± 1%	10
200:5	± 1%	12.5

**Specification**

- FREQUENCY : 50 -400 Hz
- INSULATION LEVEL : 600 Volts. 10kV BIL. full wave
- WINDOW : 0.94"
- APROXIMATE WEIGHT : 0.9 lbs
- CONNECTIONS :
  - Non-standard lead length can be specified
  - Flexible leads are UL 1015 105° C CSA approved, #16 AWG, 24" long
  - Terminals are brass studs No. 8-32 UNC with one flat washer, lockwasher, and regular nut

**Application**

- APPLICATION : With ammeters, energy management systems and instrumentation

---

**Sifam Tinsley Instrumentation Inc.**

**Address:** 2105 Barrett Park Dr, Unit 105, Kennesaw, GA 30144

**Tel.:** 800-879-6171 | **E-mail:** [info@sifamtinsley.com](mailto:info@sifamtinsley.com) | **Web:** [www.sifamtinsley.com](http://www.sifamtinsley.com)

---