



Technical Data Sheet

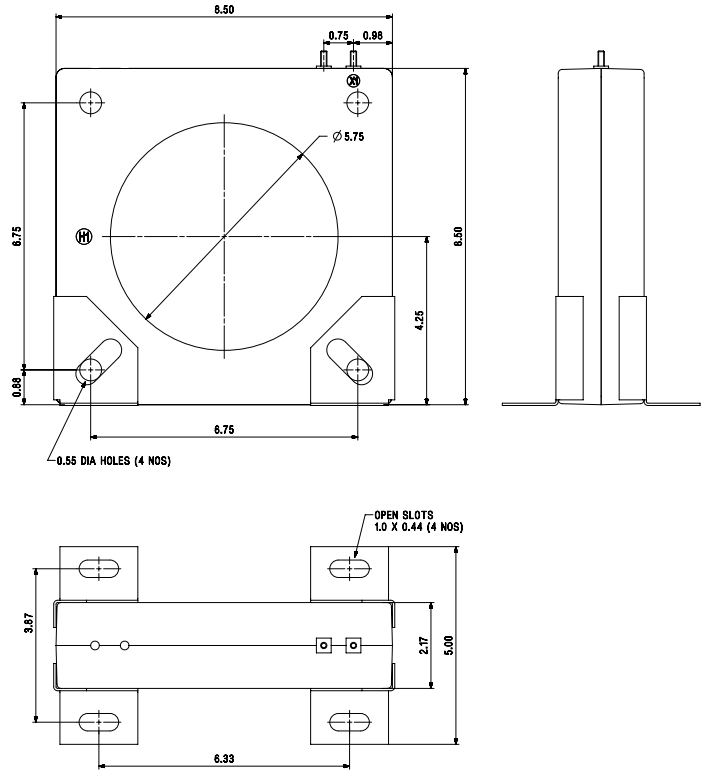
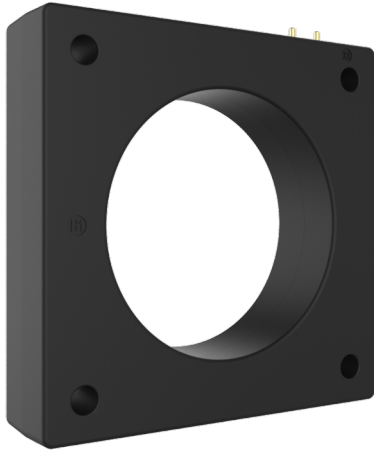
*Omega ANSI  
Current Transformer Series*



*Omega 30  
120ASHT, 125ASHT*

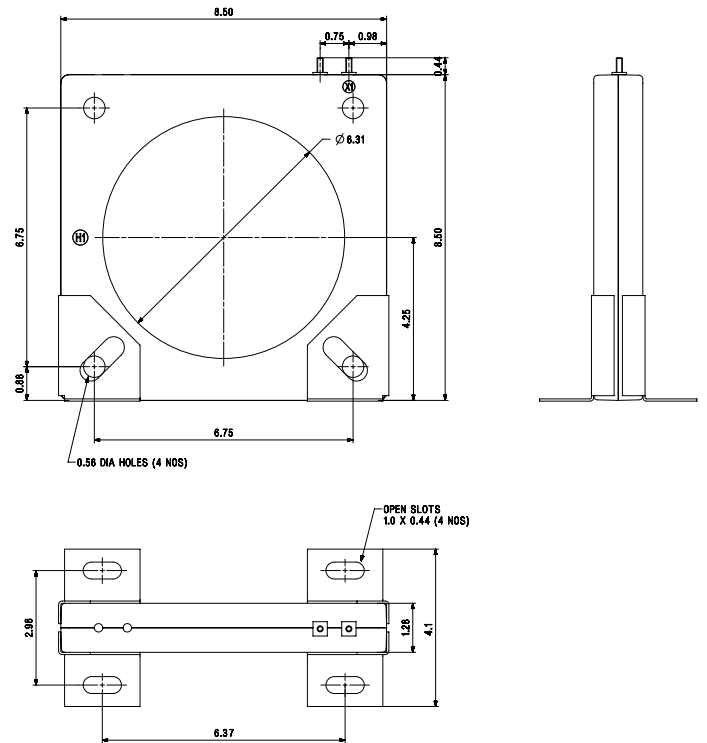
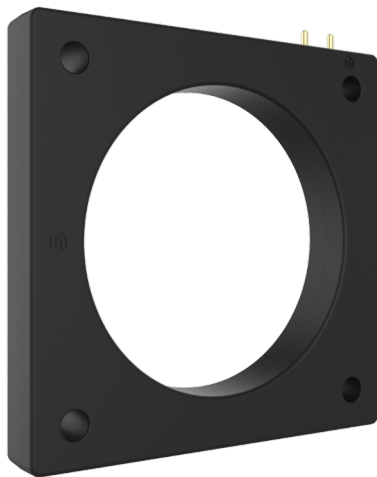


**Omega 30 - 120ASHT**



\*All the mentioned dimensions are in inches

**Omega 30 - 125ASHT**



\*All the mentioned dimensions are in inches

**Omega 30 - 120ASHT**

Current Ratio	Relay Class	ANSI METERING CLASS @ 60HZ					SECONDARY WINDING RESISTANCE (OHMS @ 75 °C)	Cont. Thermal RF	
		B0.1	B0.2	B0.5	B0.9	B1.8		@30 °C	@55 °C
200:5	-	1.2	1.2	2.4	4.8	4.8	0.053	2.0	2.0
300:5	C10	0.3	0.6	1.2	2.4	2.4	0.063	2.0	2.0
400:5	C10	0.3	0.3	0.6	1.2	2.4	0.080	2.0	2.0
500:5	C20	0.3	0.3	0.6	0.6	1.2	0.137	2.0	2.0
600:5	C20	0.3	0.3	0.3	0.6	0.6	0.165	2.0	2.0
800:5	C20	0.3	0.3	0.3	0.3	0.6	0.220	2.0	1.5
1000:5	C20	0.3	0.3	0.3	0.3	0.6	0.309	1.5	1.5
1200:5	C50	0.3	0.3	0.3	0.3	0.3	0.371	1.5	1.33
1500:5	C50	0.3	0.3	0.3	0.3	0.3	0.464	1.5	1.0
1600:5	C50	0.3	0.3	0.3	0.3	0.3	0.494	1.33	1.0
2000:5	C50	0.3	0.3	0.3	0.3	0.3	0.592	1.33	1.0
2500:5	C50	0.3	0.3	0.3	0.3	0.3	0.740	1.0	0.8
3000:5	C50	0.3	0.3	0.3	0.3	0.3	0.888	1.0	0.8
3500:5	C20	0.3	0.3	0.3	0.3	0.3	0.964	1.0	0.8
4000:5	C50	0.3	0.3	0.3	0.3	0.3	1.102	1.0	0.8

**Specification**

- Frequency : 50-400 Hz.
- Insulation Level : 600 Volts. 10kV BIL. full wave
- WINDOW : 5.75"
- APROXIMATE WEIGHT : 11 lbs

**CONNECTIONS :**

- Multi-ratios available upon request
- Terminals are brass studs No. 8-32 UNC with one flat washer, lockwasher, and regular nut
- Mounting kit (On Request)

**Application**

- Relaying & Metering

**Omega 30 - 125ASHT**

Current Ratio	ANSI METERING CLASS @ 60HZ					SECONDARY WINDING RESISTANCE (OHMS @ 75 °C)	Cont. Thermal RF	
	B0.1	B0.2	B0.5	B0.9	B1.8		@30 °C	@55 °C
600:5	0.3	0.3	1.2	1.2	2.4	0.071	1.5	1.33
750:5	0.3	0.3	0.6	1.2	2.4	0.143	1.5	1.33
800:5	0.3	0.3	0.6	1.2	2.4	0.116	1.5	1.33
1000:5	0.3	0.3	0.3	0.6	1.2	0.187	1.5	1.33
1200:5	0.3	0.3	0.3	0.6	1.2	0.224	1.5	1.33
1500:5	0.3	0.3	0.3	0.3	0.6	0.285	1.5	1.33
1600:5	0.3	0.3	0.3	0.3	0.6	0.304	1.5	1.33
2000:5	0.3	0.3	0.3	0.3	0.6	0.280	1.5	1.0
2500:5	0.3	0.3	0.3	0.3	0.6	0.351	1.33	1.0
3000:5	0.3	0.3	0.3	0.3	0.6	0.421	1.33	1.0
3500:5	0.3	0.3	0.3	0.3	0.3	0.491	1.33	1.0
4000:5	0.3	0.3	0.3	0.3	0.3	0.696	1.0	0.8

## Specification

- Frequency : 50-400 Hz.
- Insulation Level : 600 Volts. 10kV BIL. full wave
- WINDOW : 6.31"
- APROXIMATE WEIGHT : 3 lbs

### CONNECTIONS :

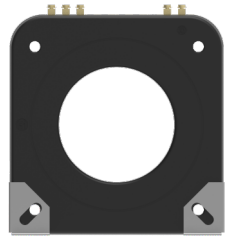
- Terminals are brass studs No. 8-32 UNC with one flat washer, lockwasher, and regular nut
- Mounting kit (On Request)

## Application

- Relaying & Metering

Omega 30 - 120ASHT, 125ASHT

## Product Mounting Kit

Sr No	Model Name	Item Code	Actual Product
1	120	X20H-0A00-0001	
2	125	X25H-0A00-0001	

---

**Sifam Tinsley Instrumentation Inc.**

**Address:** 2105 Barrett Park Dr, Unit 105, Kennesaw, GA 30144

**Tel.:** 800-879-6171 | **E-mail:** [info@sifamtinsley.com](mailto:info@sifamtinsley.com) | **Web:** [www.sifamtinsley.com](http://www.sifamtinsley.com)

---