



Technical Data Sheet

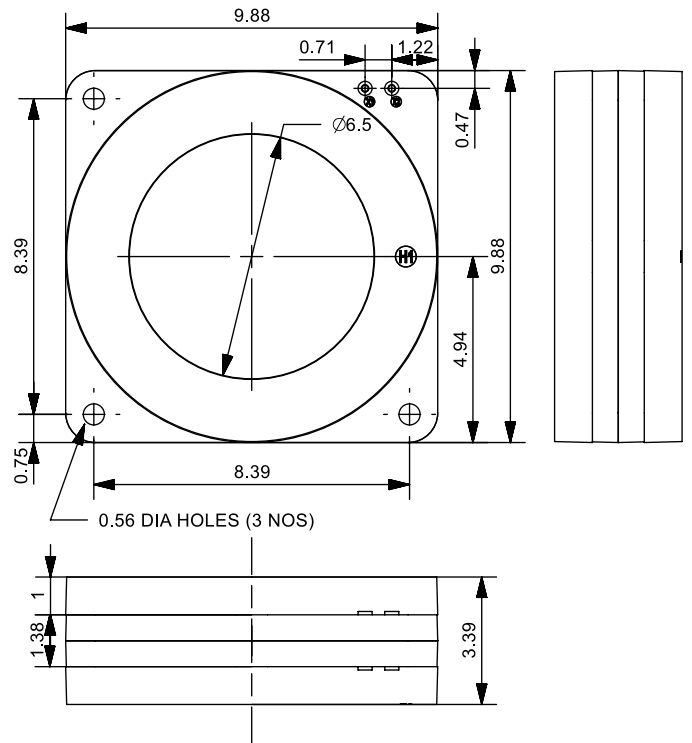
*Omega ANSI
Current Transformer Series*



*Omega 30
780ABT, 781AMR*

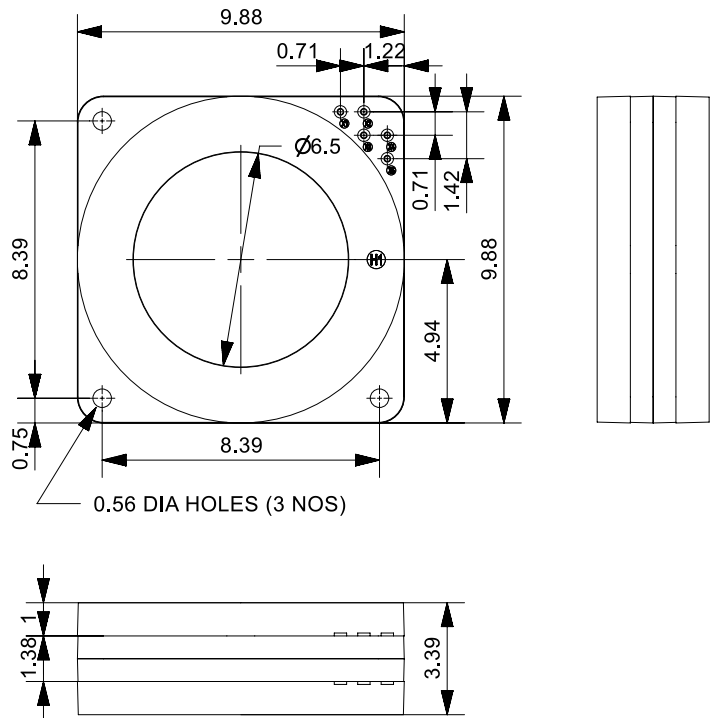


Omega 30 - 780ABT



*All the mentioned dimensions are in inches

Omega 30 - 781AMR



*All the mentioned dimensions are in inches

Omega 30 - 780ABT

Current Ratio	VA @ ± 1% Class	ANSI METERING CLASS @ 60HZ					SECONDARY WINDING RESISTANCE (OHMS @ 75 °C)
		B0.1	B0.2	B0.5	B0.9	B1.8	
50:5	-	4.8	-	-	-	-	0.008
75:5	C10	4.8	4.8	-	-	-	0.016
100:5	C10	1.2	2.4	4.8	-	-	0.027
150:5	C20	0.6	1.2	2.4	2.4	4.8	0.042
200:5	C20	0.6	0.6	1.2	2.4	4.8	0.054
250:5	C20	0.6	0.6	0.6	1.2	2.4	0.067
300:5	C20	0.3	0.3	0.6	1.2	2.4	0.097
400:5	C50	0.3	0.3	0.6	0.6	1.2	0.129
500:5	C50	0.3	0.3	0.3	0.6	0.6	0.161
600:5	C100	0.3	0.3	0.3	0.3	0.6	0.193
750:5	C100	0.3	0.3	0.3	0.3	0.6	0.242
800:5	C100	0.3	0.3	0.3	0.3	0.3	0.258
1000:5	C100	0.3	0.3	0.3	0.3	0.3	0.322
1200:5	C200	0.3	0.3	0.3	0.3	0.3	0.387
1500:5	C200	0.3	0.3	0.3	0.3	0.3	0.608
1600:5	C200	0.3	0.3	0.3	0.3	0.3	0.649
2000:5	C200	0.3	0.3	0.3	0.3	0.3	0.588
2500:5	C200	0.3	0.3	0.3	0.3	0.3	0.735
3000:5	C200	0.3	0.3	0.3	0.3	0.3	1.105
3200:5	C100	0.3	0.3	0.3	0.3	0.3	0.859
3500:5	C100	0.3	0.3	0.3	0.3	0.3	0.940
4000:5	C200	0.3	0.3	0.3	0.3	0.3	1.074

Specification

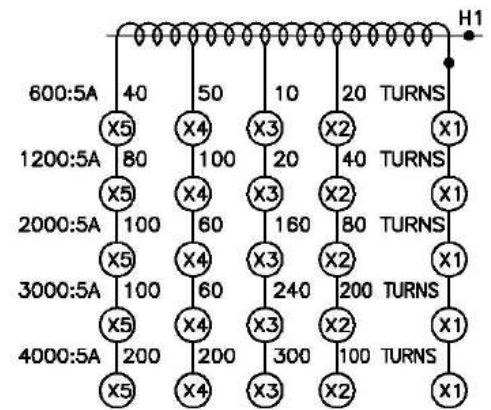
- Frequency : 50-400 Hz.
 - Insulation Level : 600 Volts. 10kV BIL. full wave
 - Insulation Level : 50:5 thru 1200:5 2.0 at 30°C amb, 1.5 at 55°C amb, 1500:5 thru 4000:5 1.5 at 30°C amb., 1.33 at 55°C amb.
 - WINDOW : 6.50"
 - APROXIMATE WEIGHT : 30 lbs
- CONNECTIONS :**
- - Secondary terminals are No. 10-32 brass screws with one flat washer, lockwasher and regular nut.

Application

- Relaying & Metering

Omega 30 - 781AMR

Current Ratio	Relay Class	ANSI metering class @60 HZ	Cont. Thermal RF	
			@30 °C	@50 °C
600:5	C100	0.3 B0.5	2.0	1.5
1200:5	C200	0.3 B1.8	2.0	1.5
2000:5	C200	0.3 B1.8	2.0	1.5
3000:5	C200	0.3 B1.8	1.33	1.33
4000:5	C200	0.3 B1.8	1.33	0.8



Specification

- Frequency : 50-400 Hz.
- Insulation Level : 600 Volts. 10kV BIL. full wave
- CONTINUOUS THERMAL CURRENT RATING FACTOR :
2.0 at 30°C amb., 1.5 at 55°C amb
- WINDOW : 6.50"
- APPROXIMATE WEIGHT : 31 lbs

CONNECTIONS :

- Secondary terminals are No. 10-32 brass screws with one flat washer, lockwasher and regular nut.

Application

- Relaying & Metering

Sifam Tinsley Instrumentation Inc.

Address: 2105 Barrett Park Dr, Unit 105, Kennesaw, GA 30144

Tel.: 800-879-6171 | **E-mail:** info@sifamtinsley.com | **Web:** www.sifamtinsley.com
