



Technical Data Sheet

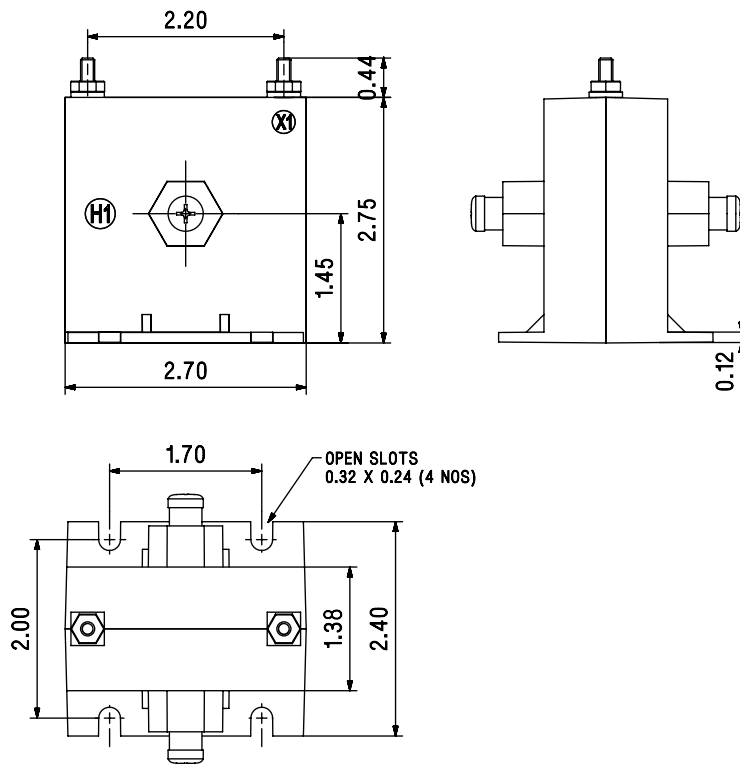
*Omega ANSI
Current Transformer Series*



*Omega 30
189ASFT*



Omega 30 - 189ASFT



*All the mentioned dimensions are in inches

Omega 30 - 189ASFT

Current Ratio	ANSI METERING CLASS @ 60 HZ	
	B0.1	B0.2
2.5:5	0.6	0.6
5:5	0.6	0.6
7.5:5	0.6	0.6
10:5	0.6	0.6
15:5	0.6	0.6
20:5	0.6	0.6
25:5	0.6	0.6
30:5	0.6	0.6
40:5	0.6	0.6
50:5	0.6	0.6
60:5	0.6	0.6
75:5	0.6	0.6
80:5	0.6	0.6
100:5	0.6	0.6

Specification

- FREQUENCY : 50 -400 Hz
- INSULATION LEVEL : 600 Volts. 10kV BIL. full wave
- APROXIMATE WEIGHT : 0.75 lbs

CONNECTIONS :

- Primary terminals for the Model 189 for ratios of 30:5 and below are No. 10-32 brass screws with one lockwasher (Dimension A=3.28), for ratios 40:5 and above, 3/8-16 brass studs with one lockwasher and regular nut (Dimension A=4.10)

Application

- APPLICATION : Generally for ammeters use only

Sifam Tinsley Instrumentation Inc.

Address: 2105 Barrett Park Dr, Unit 105, Kennesaw, GA 30144

Tel.: 800-879-6171 | **E-mail:** info@sifamtinsley.com | **Web:** www.sifamtinsley.com
