

Industrial Automation & Process Control Portfolio

PRECISION INSTRUMENTATION



ST sifam tinsley

www.sifamtinsley.com

Product Portfolio

Test & Measurement Equipment



Multimeters, Clamp Meters,
Insulation Testers



Environmental Meters,
Electrical Testers, Testing Tools



Digital Multimeters



Test & Measuring Instruments



Digital Multimeters Product Range



Gamma 10-20

Gamma 10

Gamma 12

Gamma 20



Gamma 36-70



Gamma 36

Gamma 40

Gamma 50

Gamma 60

Gamma 70



Gamma 60K

Gamma 6040

Gamma 6050

Gamma 6060

Gamma 6070

FAQs by customer on Digital Multimeters

- **What parameters can this multimeter measure?**

Most DMMs can measure Voltage(AC/DC), current(AC/DC), resistance, continuity, frequency, capacitance, temperature & diode testing.

- **What is the maximum voltage and current range supported?**

Sifam Multimeters maximum voltage is upto 1000V and 10 Amp Current. Its important to choose a right model that fits application needs.

- **Is this multimeter true RMS?**

True RMS meters provide accurate readings for both sinusoidal & non-sinusoidal AC waveforms. Useful for Industrial & variable frequency application.

- **Does it have auto-ranging or manual ranging?**

Yes, both modes are available in STI DMMs, Auto ranging automatically selects the correct measurement range. Manual models require the user to select it manually.

- **What is the accuracy level of the multimeter?**

STI DMMs have 0.5 % Accuracy, few high-end models also carries 0.05% Accuracy.

- **Is it battery-operated? What's the battery life?**

Yes, All DMMs are Battery powered. Battery life depends on usage & model features like backlight or auto-off.

- **Does it come with test leads and accessories?**

Yes, DMMs includes standard Test Leads, some may also come with thermocouple(if required), carrying cases.

- **Is the multimeter calibrated and certified?**

Yes, ST DMMs are Calibrated & certified by ISO 17025 accredited Laboratory.

Gamma 40-70



6600 counts, Basic Accuracy of 0.5%,
1000V AC/DC, 10A AC/DC

Battery life upto 600Hours
w/o backlight

CAT II 1000V & CAT III 600V protection

IP 50, CE, RoHS compliance



Rugged-
Rubber holster
for Drop proof
Operation



Mistake Proof-
Automatic terminal
blocking system to
avoid wrong
connections

Gamma 6040/6050/6060/6070



60,000 counts, Basic Accuracy of 0.05%,
1000V AC/DC, 10A AC/DC

Mobile App facility, LPF function, 100kHz
Bandwidth, 32000 readings data logging, Go-No-
Go function, PC software



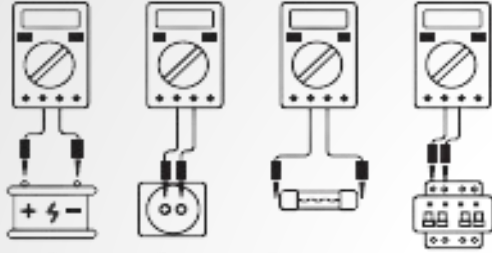
CAT III 1000V & CAT IV 600V
protection

IP 50, CE, RoHS compliance

DMM Application



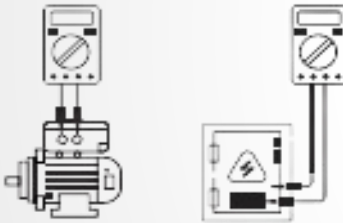
Domestic



V_m V_~



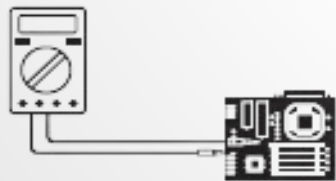
Industrial



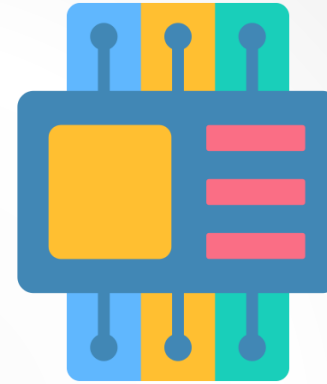
V_m V_~ R_Ω °C



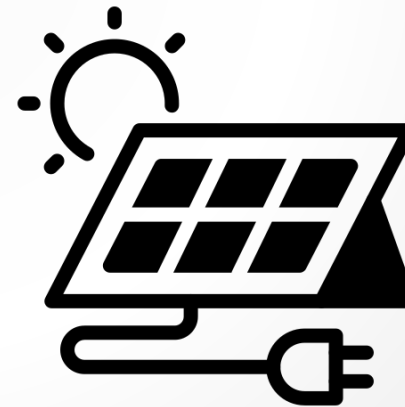
Electronics



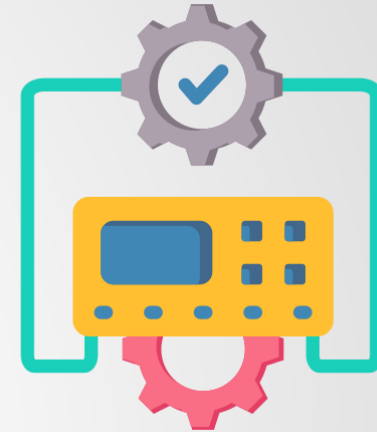
V_m V_~ A_~ R_Ω



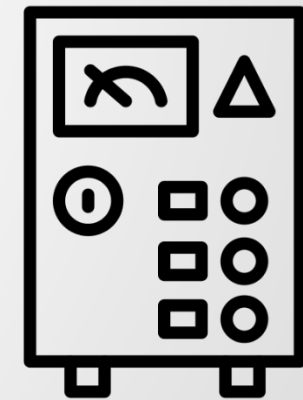
Electronics-PCB testing



Renewal Source/DC Application

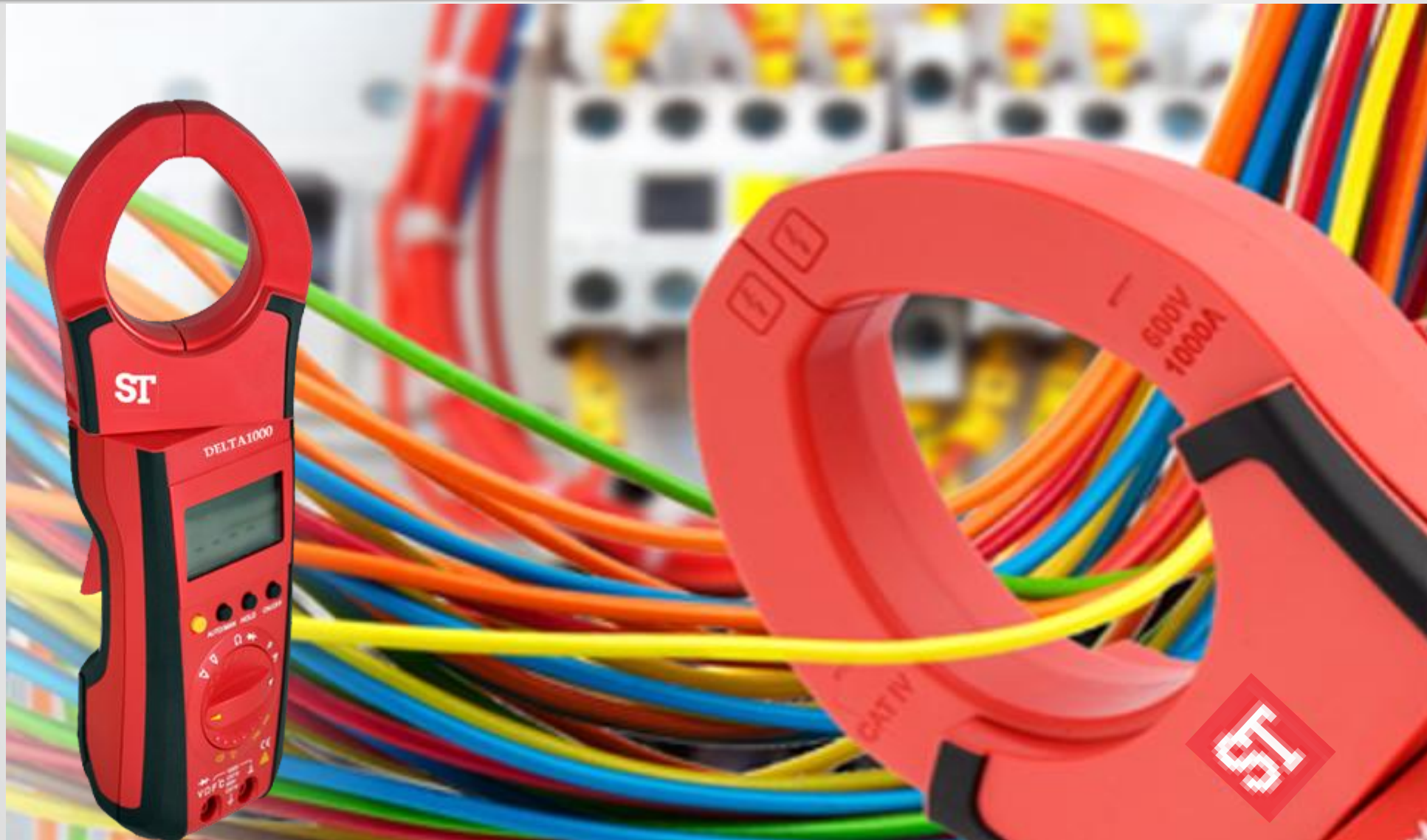


Onsite Commissioning



Electrical Panel & Switchgear

Clamp meters



Clampmeter Product Range



Delta 1000/300

Delta 300A AC

Delta 300A AC/DC

Delta 1000A AC

Delta 1000A AC/DC



**Delta Power
400/1000A**

Delta 400A AC/DC

Delta 1000A AC/DC

Delta 1000V AC/DC

**Delta 1000/400A
AC/DC with BT**



Delta Solar Clamp

Delta Solar Clamp



Delta Clips

Delta Clip A

Delta Clip B

FAQs by customer on Clampmeters

- **What is a clamp meter used for?**

A Clampmeter is primarily used to measure current(AC or DC) without physically disconnecting the circuit, making it ideal for live & high-current applications.

- **What's the difference between a clamp meter and a digital multimeter (DMM)?**

DMMs are great for Voltage, resistance & continuity, clamp meters excel in measuring high current without breaking the circuit.

- **What is the jaw size, and what conductor sizes can it handle?**

Jaw opening size determines the max. diameter of conductor it can clamp around, STI DCM are patented for design with wide jaw opening upto 51mm

- **Is the clamp meter safe to use in high-voltage environments?**

Yes, STI DCMs are safe to use in CAT III & CAT IV environment.

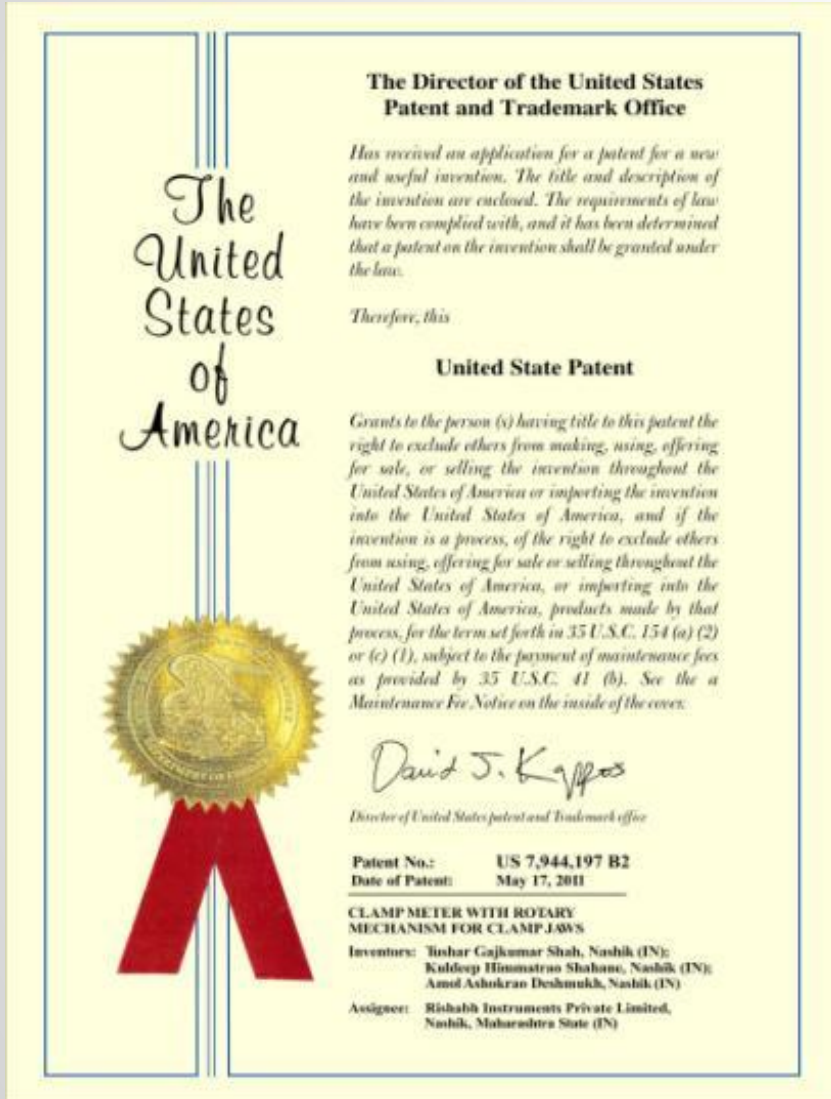
- **Does it measure inrush current or peak hold?**

Yes, STI DCMs can measure inrush current or capture peak values.

- **What accessories are included?**

Standard accessories include test leads, batteries, carrying case.

USPs-Clamp meters



**US Patent No. 7944197 B2
For Rotary Mechanism for
Clamp Jaw**

Offers flexibility to keep display in front while measuring in difficult to access locations

**US Patent No. 8,120,350 B2
For Safe Trigger Mechanism
of Digital Clamp Meter**

To keep a safe distance of humans from current carrying conductor

Delta Power Clampmeter



51 mm/41mm Jaw opening,
1000 A AC/DC/400 A AC/DC, 1000V AC/DC



Trms, KW, KVA, KVAR, PF,
Harmonics (upto 49th)



CAT III 100V & CAT IV
600V protection

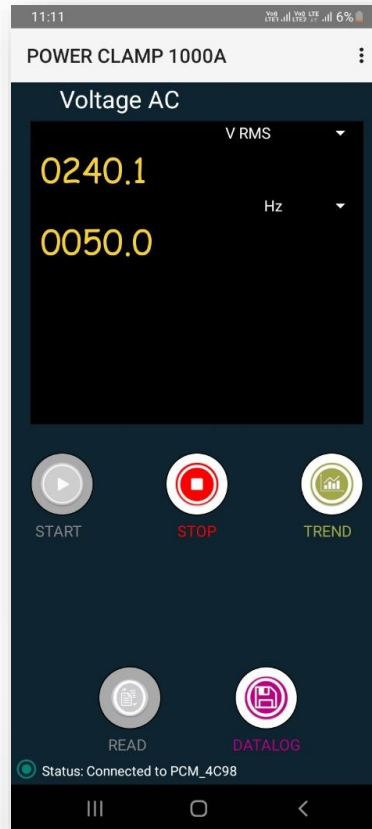


IP 50, CE, RoHS compliance



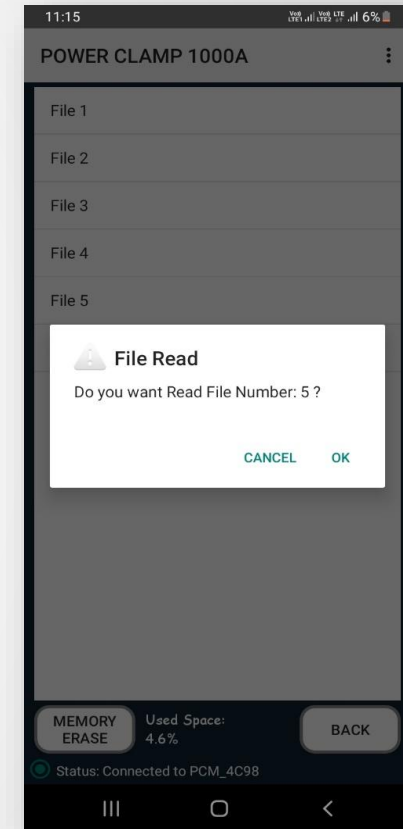


Delta Power Clampmeter with BT



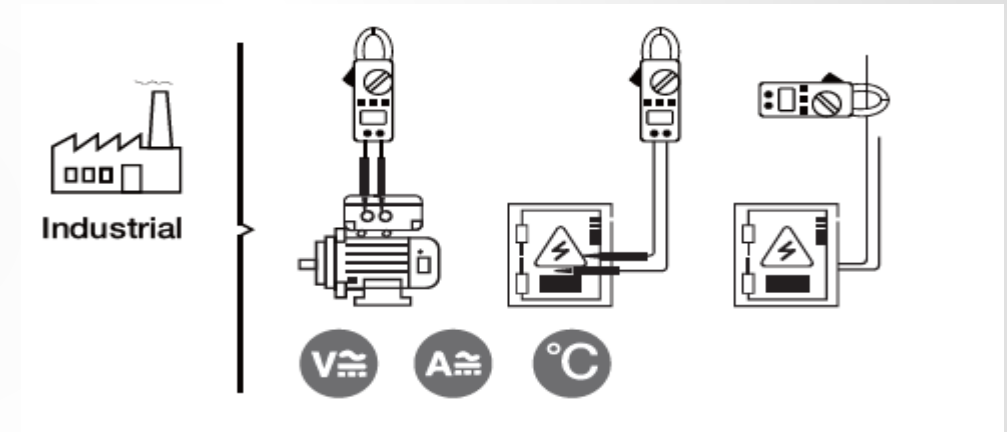
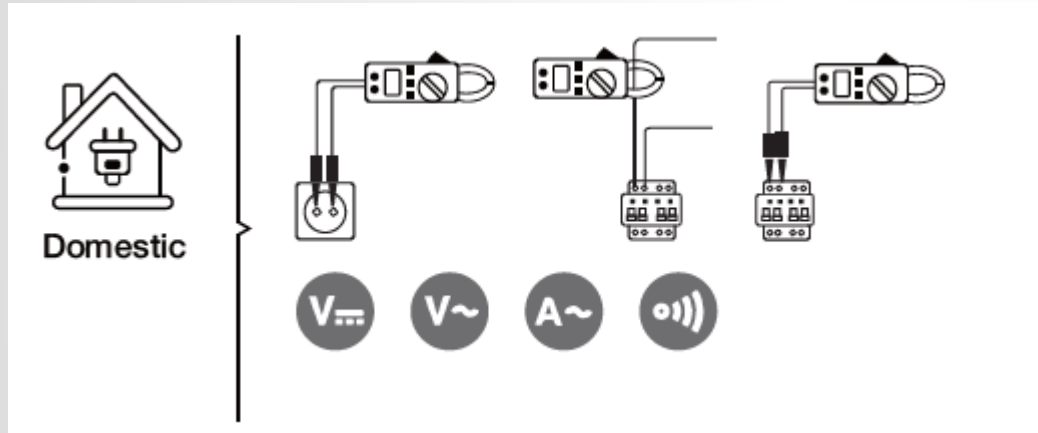
Viewing Power Clamp Meter screen on your Mobile

Trend Graph Facility



Data logging facility in Mobile

Clampmeter Application



Insulation Testers



Insulation Tester Product Range



Handheld

Zeta 10

Zeta 20



Tabletop

Zeta 50



Insu Series

Insu 5DT

Insu 5Dx plus

Insu 10Dx Plus

FAQs by customer on Insulation Testers

- **What is an insulation tester used for?**

An insulation tester measures the resistance of electrical insulation in wires, motors, transformers & other electrical components to ensure safety, prevent leakage or breakdown.

- **What voltage levels can this tester output?**

ST Insulation Tester tests from 50V to 10KV ranges in different model type.

- **What insulation resistance range can it measure?**

ST Insulation Tester measures from 2Gigaohm to 20Teraohm.

- **Can this tester perform PI (Polarization Index) and DAR (Dielectric Absorption Ratio) tests?**

Yes, It support PI and DAR to evaluate long-term insulation condition & aging.

- **Can it be used on live circuits?**

No, Insulation testers must be used on de-energized circuits to avoid equipment damage or safety Hazards

- **Is it capable of storing or logging test data?**

Yes, ST Insulation testers offers internal memory, Bluetooth connectivity for data storage & transfer.

Insulation Tester Zeta 20



Insulation Resistance
measurement upto $2G\Omega$

Selectable Test Voltages
50V/100V/250V/500V/1000V

CAT II 600V & CAT III 300V protection

IP 50, CE, RoHS compliance

Insulation Tester 5Dt/5Dx/10Dx



Audio read out
of test results



Colour Touch
screen display

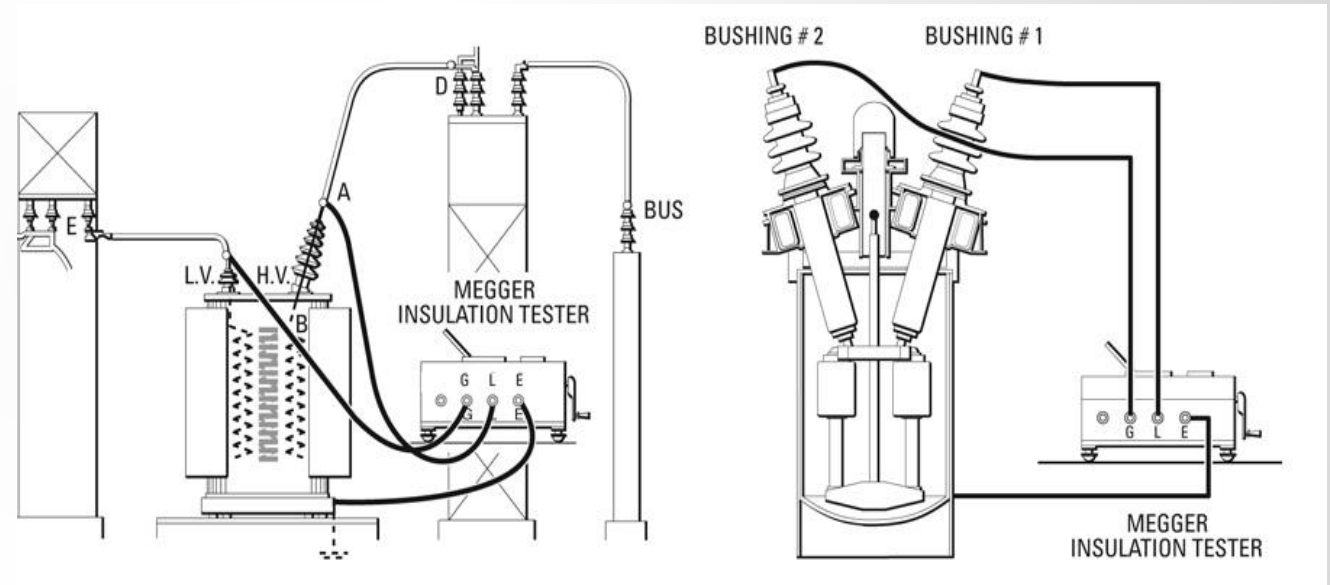
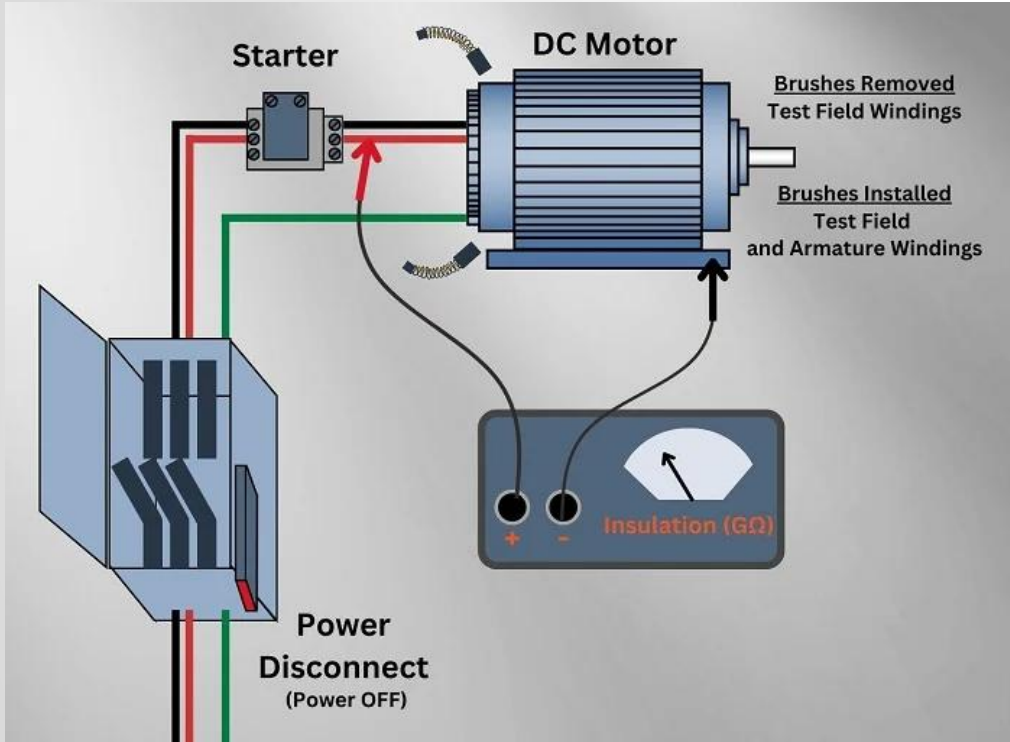


Mobile App
facility



High noise
immunity

Insulation Tester Application





Test Equipment Product Range



DMM/Clamp Meters

VA19 5in1 DMM

VA38 Digital
Multimeter

VA40 Auto Range
with USB/LAN

VA311B
Clampmeter



Environmental Meter

VA6530A Infrared
Thermometer

VA8040 Moisture
Meter

VA8020
Anemometer

VA8041 Thickness
Gauge meter



Process Calibrators

VA700 Volt/mA

VA702 Economic

VA710
Thermocouple

VA720 RTD

....many more

Full product information at www.sifamtinsley.com

Anemometer

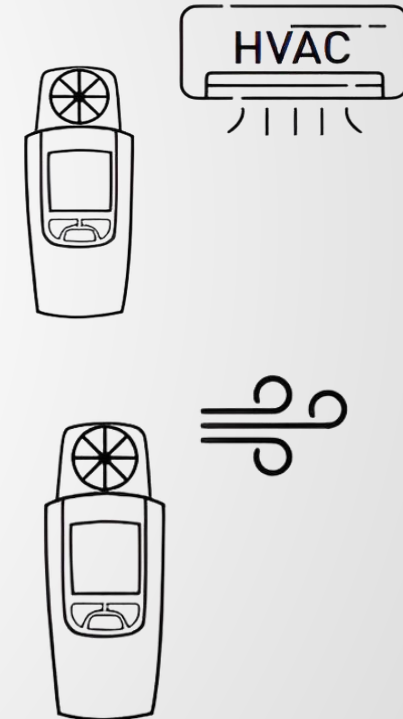
VA8021

Features:

- Wind Speed Range: 0.4~20 m/s, 80~4000fpm
- Temperature range: -10°C ~50°C (14~122 °F)
- Humidity Range: 0~100% RH
- Back light
- Data hold
- Auto power off
- MAX/MIN



Applications:



Light Meter

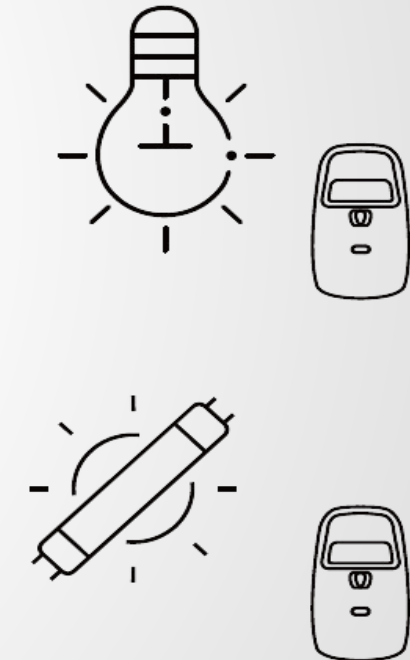
MS6610

Features:

- Lux Range: 0-50000 Lux
- Accuracy of $\pm 5\%$
- Max display of 1999
- Data Hold



Applications:



Moisture Meter

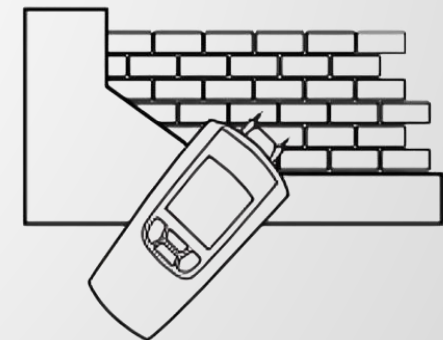
VA8040

Features:

- Moisture Range: 0.0%~95.7%
- Insert Probe type
- Ideal for 7 Building Materials
- Hard Wood: 8.9-95.7%
- Soft Wood: 7.1-80.0%
- Cement: 1.0-2.5%
- Anhydrite Plane: 0.0-3.3%
- Cement Mortar: 0.7-3.8%
- Lime Mortar: 0.58-7.4%
- Brick: 0.0-23.4%



Applications:





Process Calibrators Meter

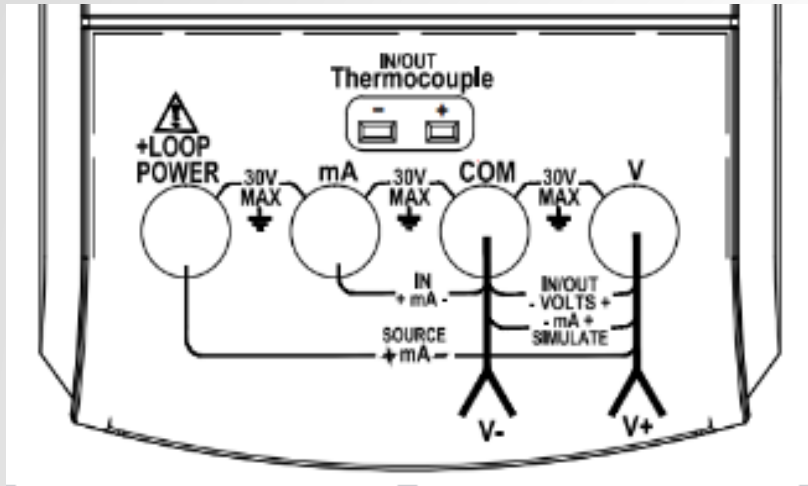
Volt / mA Calibrator/Thermocouple/RTD Calibrator

VA700/701/702//710/720

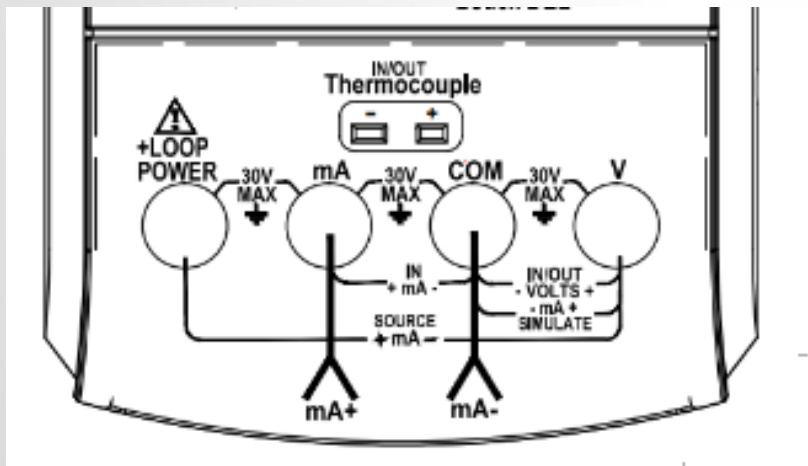
- TC Measurement & Simulation
- High Accuracy: up to 0.2°C / 0.1Ω
- USB Connectivity (select models)
- Store / recall 10 group setting
- Multifunction: mA, V, RTD, TC, Ω, Frequency (Source/Measure)
- Backlit Display, Rugged Build
- External Power Supply Jack



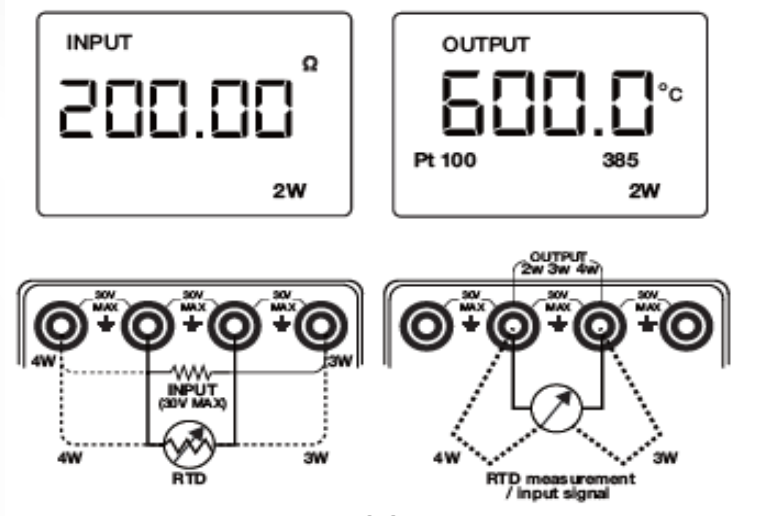
Process Calibrators Connections



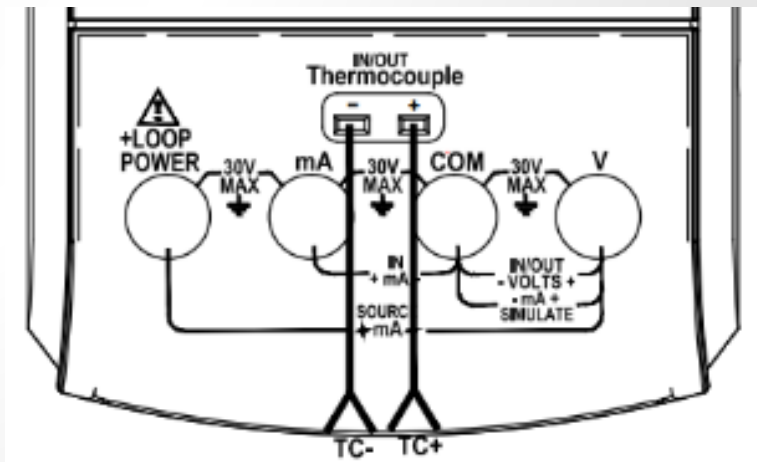
mV Voltage Calibrator



mA Current Calibrator



RTD Calibrator



Thermocouple Calibrator

Test Equipment Testers

Extended Temperature
Probes **VA6502**



Voltage tester **VA6816**





Target Customer in SE US

Industries

- **Power Utilities & Renewables:** Florida Power & Light, Duke Energy, Georgia Power, TVA
- **OEMs & Industrial Plants:** Bosch (Charleston, SC), GE Appliances (Louisville, KY), Honda (AL), Boeing (SC), Nucor Steel (NC)
- **HVAC & Building Services:** Trane Technologies (NC), Johnson Controls branches across Southeast
- **Panel Builders & System Integrators:**
 - **E+I Engineering (SC)**
 - **PanelTEK (regional integrator)**
 - **TechnoTronics (FL-based panel solution provider)**

Educational Institutes, Laboratories

