



LTRC SERIES



General specification

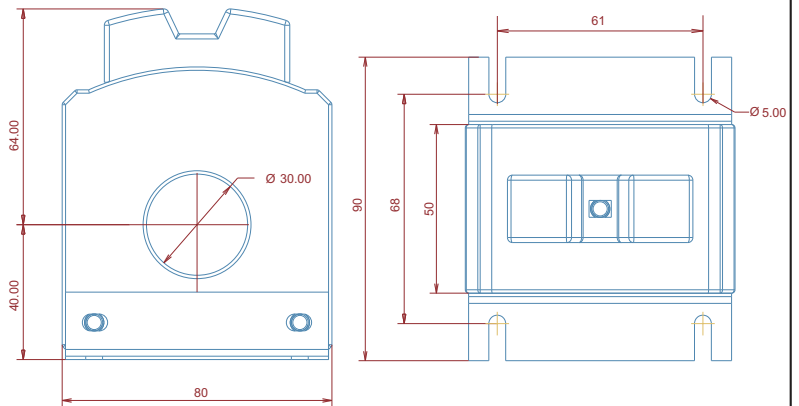
- # Applicable standard : - IEC61869-1 & 2
- # Case : - Epoxy Resin
- # Insulation class :- E(120°C max)
- # Test voltage :- 3KV 50 Hz for 1 minute.
- # Operating frequency :- 50 Hz and 60 Hz
- # Rated Primary current :- 100A to 1200A
- # Rated secondary current :- 5A standard
- # Continuous current :-1.2X Rated current
- # Rated system voltage :- 0.72/3KV
- # Ambient temperature range:- -20 to +45°C
- # Storage temperature range:- -50 to +80°C

Features:

- # Compact size.
- # Wide range of system current Ratings.
- # Transparent terminal cover.
- # Wall mounting.
- # Terminal with self lifting screw.

OMEGA LTRC-1 SERIES

LTRC-1 80/30(50)



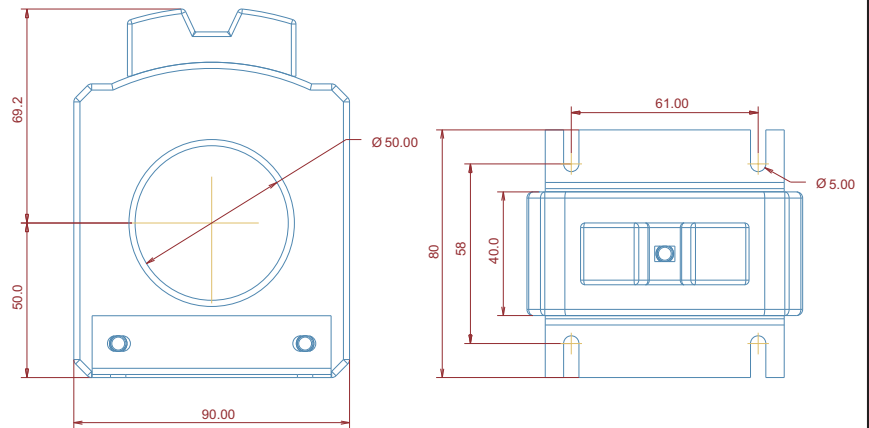
LTRC-1 80/30(50)		
Ratio	VA	Class
100	5	1
125	5	1
150	5	1

ALL DIMENSIONS ARE IN mm



OMEGA LTRC-2 SERIES

LTRC-2 90/50(40)

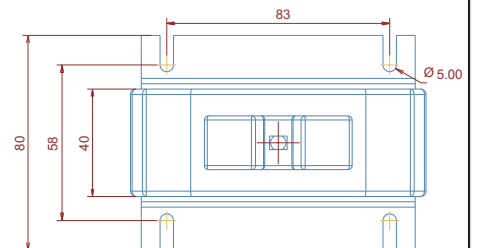
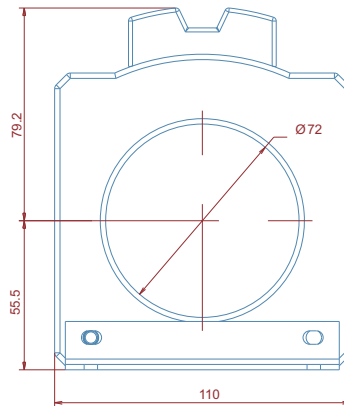


LTRC-2 90/50(40)		
Ratio	VA	Class
200	10	1
250	10	1
300	10	1

ALL DIMENSIONS ARE IN mm

OMEGA LTRC-3 SERIES

LTRC-3 110/72(40)



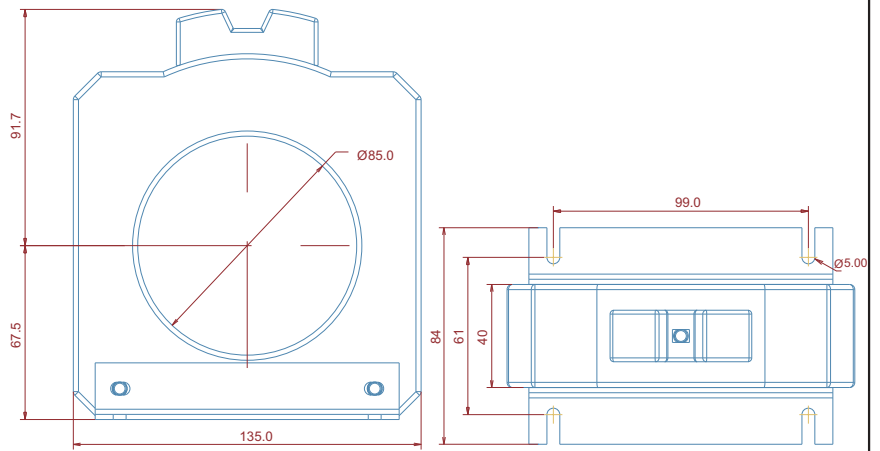
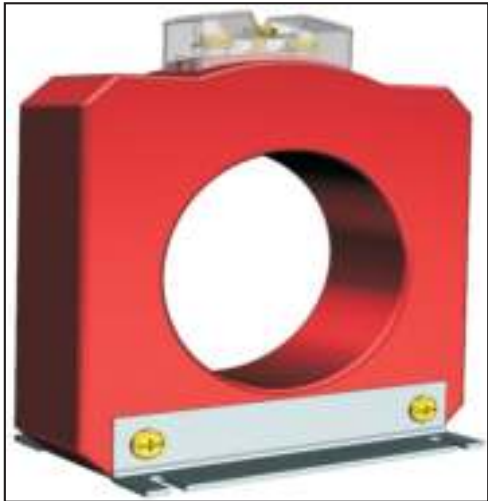
LTRC-3 110/72(40)

Ratio	VA	Class
400	15	1
500	15	1
600	15	1
630	15	1

ALL DIMENSIONS ARE IN mm

OMEGA LTRC-4 SERIES

LTRC-4 135/85(40)



LTRC-4 135/85(40)		
Ratio	VA	Class
800	15	1
1000	15	1
1200	15	1

ALL DIMENSIONS ARE IN mm

